

**Spare parts list**  
**(5.971-228.0) Spare parts list K2.27 CCK \***

## Table of contents

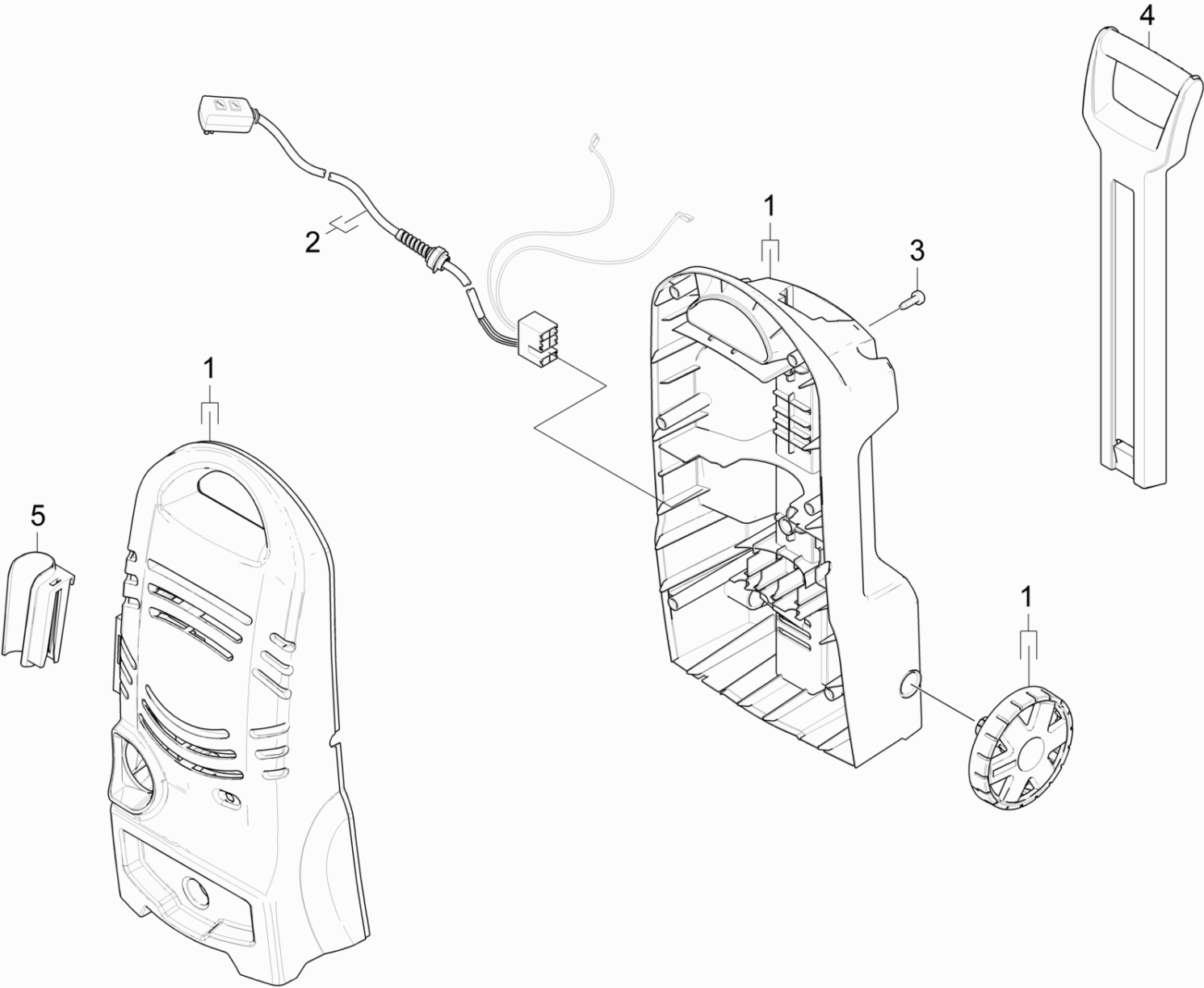
---

<b>Spare parts list K2.27 CCK * (5.971-228.0)</b> .....	<b>6</b>
10 Housing (0.109-928.0).....	7
20 Pump set (0.109-929.0).....	9
21 Housing (0.109-930.0).....	10
22 Thrust guidance (0.113-917.0).....	12
30 Motor (0.109-932.0).....	14
40 Accessories (0.109-933.0).....	16
41 Hand trigger gun (0.109-934.0).....	17
5 Spare part set O-Ring seal 5x (2.880-296.0).....	19
42 Hand trigger gun (0.113-278.0).....	20
4 Spare part set O-Ring seal 5x (2.880-296.0).....	22
43 Hand trigger gun (0.116-630.0).....	23
44 Jet pipe (0.109-935.0).....	25

Spare parts list K2.27 CCK \* (5.971-228.0)

---

Pos	Name	Qty.	Unit
10	Housing	1.000	ST
20	Pump set	1.000	ST
30	Motor	1.000	ST
40	Accessories	1.000	ST



**10 Housing (0.109-928.0)**

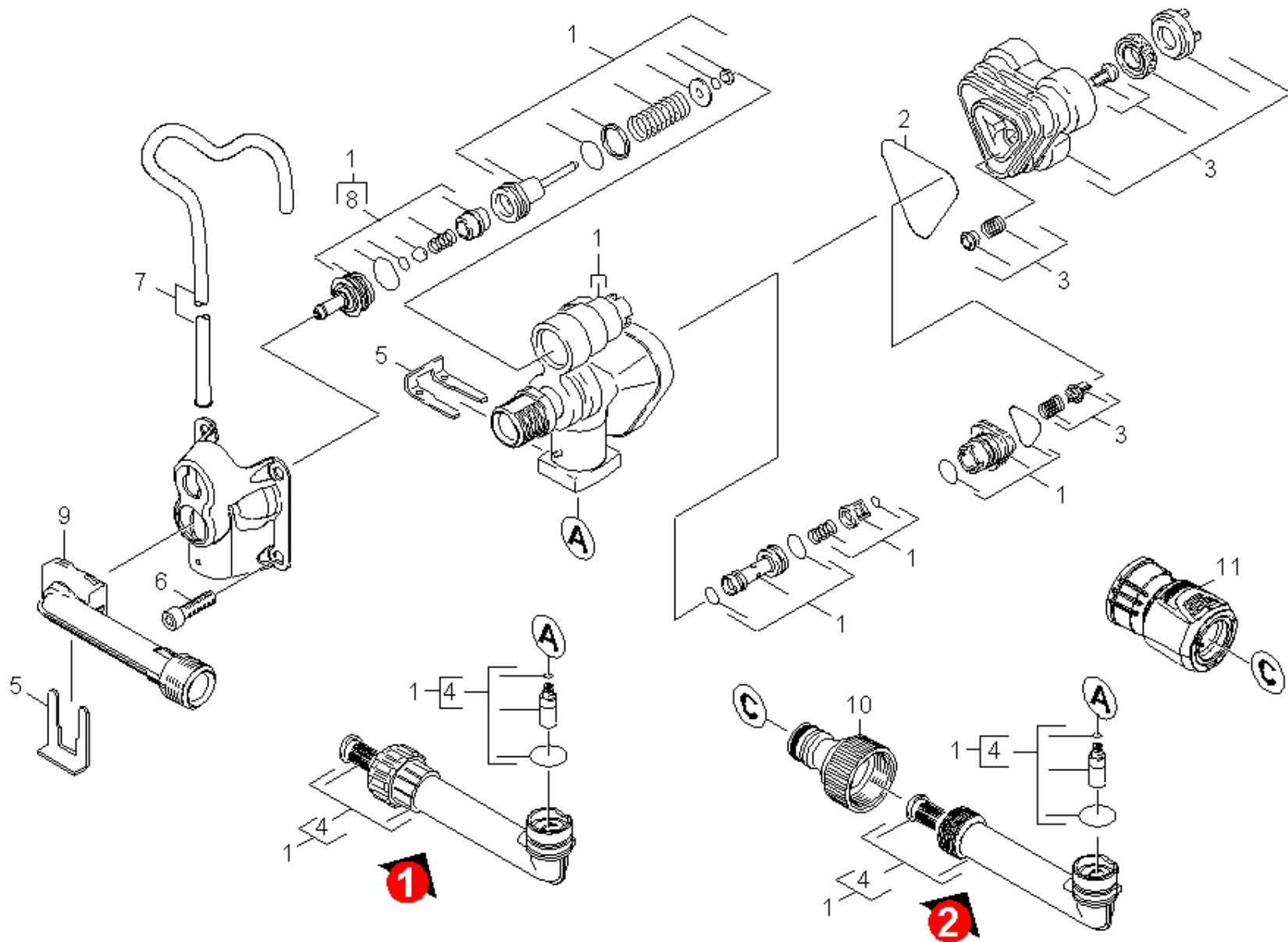
---

Pos	Material #	Name	Qty.	Unit
1	9.755-048.0	Housing complete replacement K2.27	1.000	ST
2	9.755-330.0	Cable complete with multi-connector*CA	1.000	ST
Position text: 1.601-208.0				
2	9.755-185.0	Cable complete replacement	1.000	ST
Position text: 1.601-176.0 /-177.0 /-178.0				
3	9.086-173.0	Screw Hi-Lo d.4x22 Torx-d.7,5	6.000	ST
4	9.760-572.0	UM110 handle	1.000	ST
5	9.760-430.0	Pistol holder	1.000	ST

20 Pump set (0.109-929.0)

---

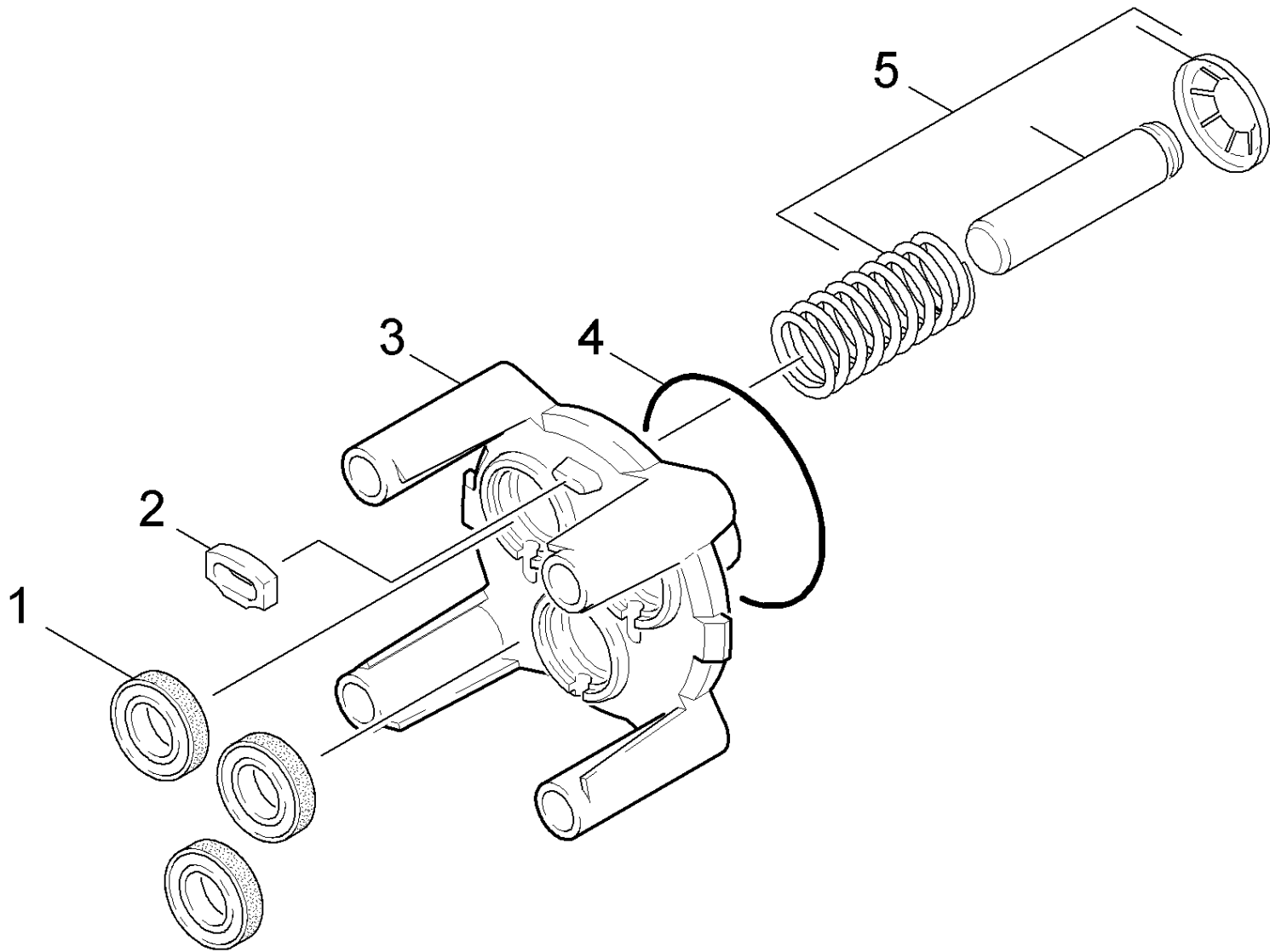
Pos	Name	Qty.	Unit
21	Housing	1.000	ST
22	Thrust guidance	1.000	ST



21 Housing (0.109-930.0)

ET/VT (spare/wear parts)	Pos	Material #	Name	Qty.	Unit	Footnote text
X	1	9.755-108.0	Housing complete replacement K2.21 *	1.000	ST	VERSION 1
X	1	9.755-196.0	Manifold complete replacement K2.21 *	1.000	ST	VERSION 2
X-X	2	9.081-422.0	Form seal	1.000	ST	
X	3	9.755-020.0	H.P. head complete Spare Part	1.000	ST	
X	4	9.755-195.0	Inlet fitting replacement K2.21 *	1.000	ST	VERSION 2
X	4	9.755-109.0	Suction connection replacement +SV K2.21	1.000	ST	VERSION 1
	5	9.039-148.0	Metal fork	2.000	ST	
	6	7.306-151.0	Cylinder head screw M8x65 -8.8-A2E ISO4	4.000	ST	
	7	9.011-911.0	Filter cleaning agents W107/207	1.000	ST	
	8	9.755-183.0	Nipple chemistry spare part - straight	1.000	ST	
	9	9.755-169.0	Connection delivery side replacement	1.000	ST	
X-X	10	6.465-031.0	Connection 3/4	1.000	ST	
X	11	4.645-365.0	Coupler with label complete	1.000	ST	



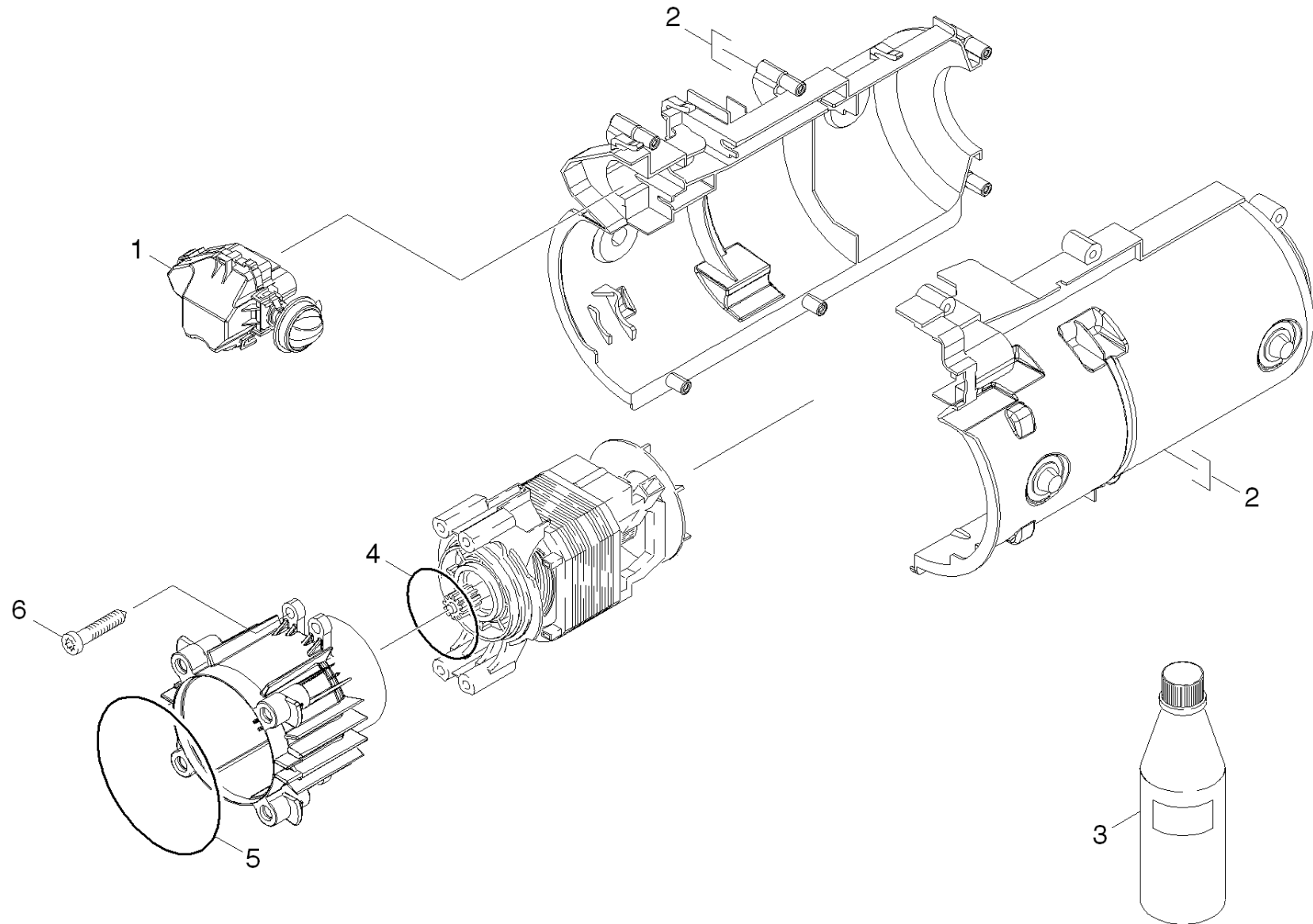


**22 Thrust guidance (0.113-917.0)**

---

ET/VT (spare/wear parts)	Pos	Material #	Name	Qty.	Unit
X-X	1	6.365-393.0	Oil sealing 12x20x4/6	3.000	ST
	2	9.048-071.0	Spacer - Seal	1.000	ST
	3	9.755-287.0	piston guide	1.000	ST
	4	6.363-339.0	O-Ring seal 60x2,5 -NBR 80	1.000	ST
X	5	9.755-284.0	Piston assembly spare part	3.000	ST

---



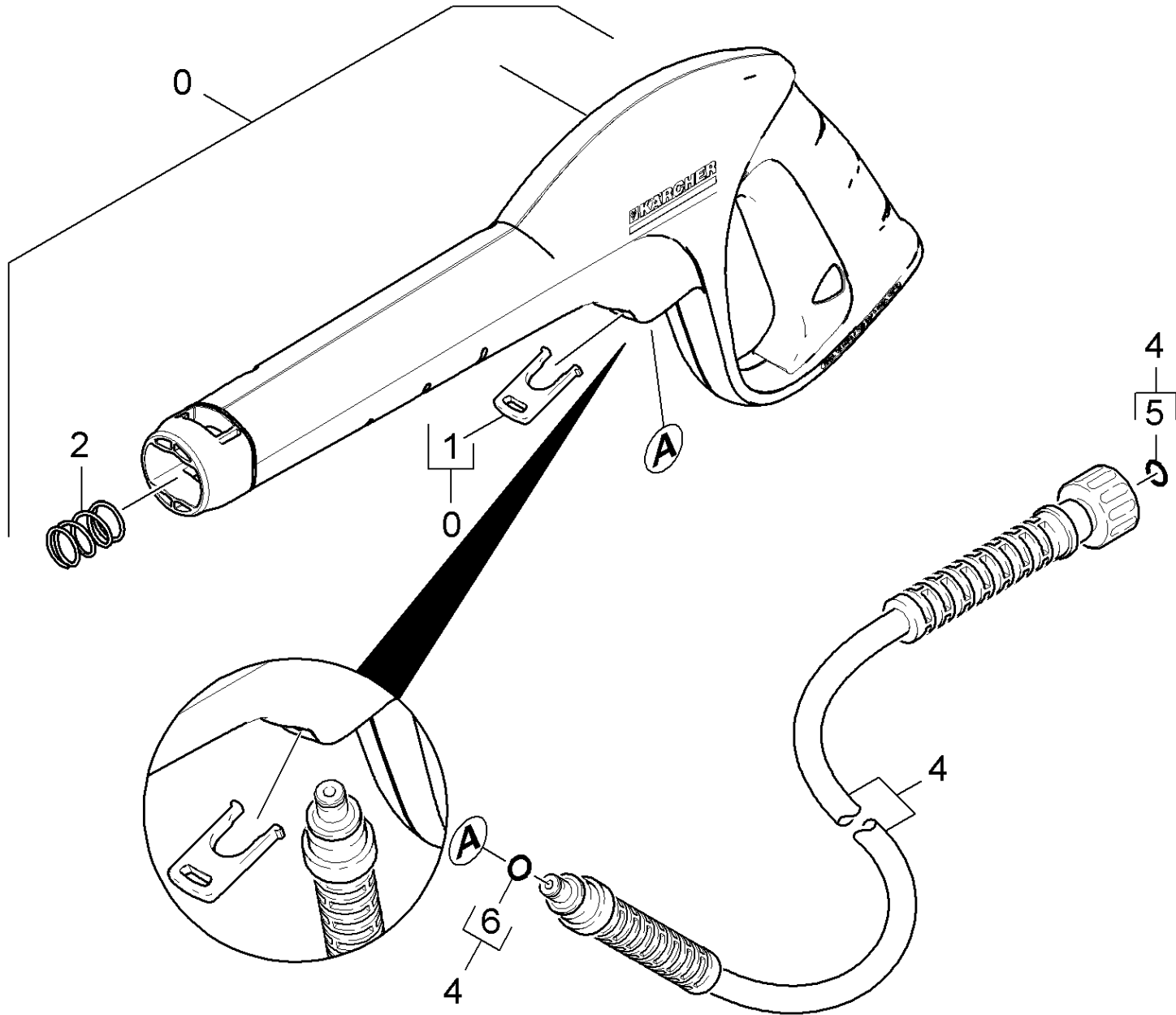
**30 Motor (0.109-932.0)**

ET/VT (spare/wear parts)	Pos	Material #	Name	Qty.	Unit
	1	9.755-342.0	Electric box complete replacement K 2.26	1.000	ST
X	2	9.755-108.0	Housing complete replacement K2.21 *	1.000	ST
	3	6.288-112.0	Engine oil 1L	1.000	ST
	4	6.363-340.0	O-Ring 50 x 2,2 NBR 80	1.000	ST
	5	6.363-339.0	O-Ring seal 60x2,5 -NBR 80	1.000	ST
	6	6.303-260.0	Screw 5x26,4	4.000	ST

40 Accessories (0.109-933.0)

---

Pos	Name	Qty.	Unit	Footnote text
41	Hand trigger gun	1.000	ST	VERSION 1
42	Hand trigger gun	1.000	ST	VERSION 2
43	Hand trigger gun	1.000	ST	VERSION 3
44	Jet pipe	1.000	ST	



**41 Hand trigger gun (0.109-934.0)**

ET/VT (spare/wear parts)	Pos	Material #	Name	Qty.	Unit
X-X	0	2.641-959.0	G 160 Trigger Gun	1.000	ST
X	1	5.037-185.0	Clamp	1.000	ST
	2	5.332-464.0	Pressure spring	1.000	ST
X-X	4	6.390-871.0	High pressure hose 6/11MPa	1.000	ST
X-X	5	2.880-296.0	Spare part set O-Ring seal 5x	1.000	ST
X	6	6.362-498.0	O-Ring seal 6,75x1,78 NBR 70	1.000	ST

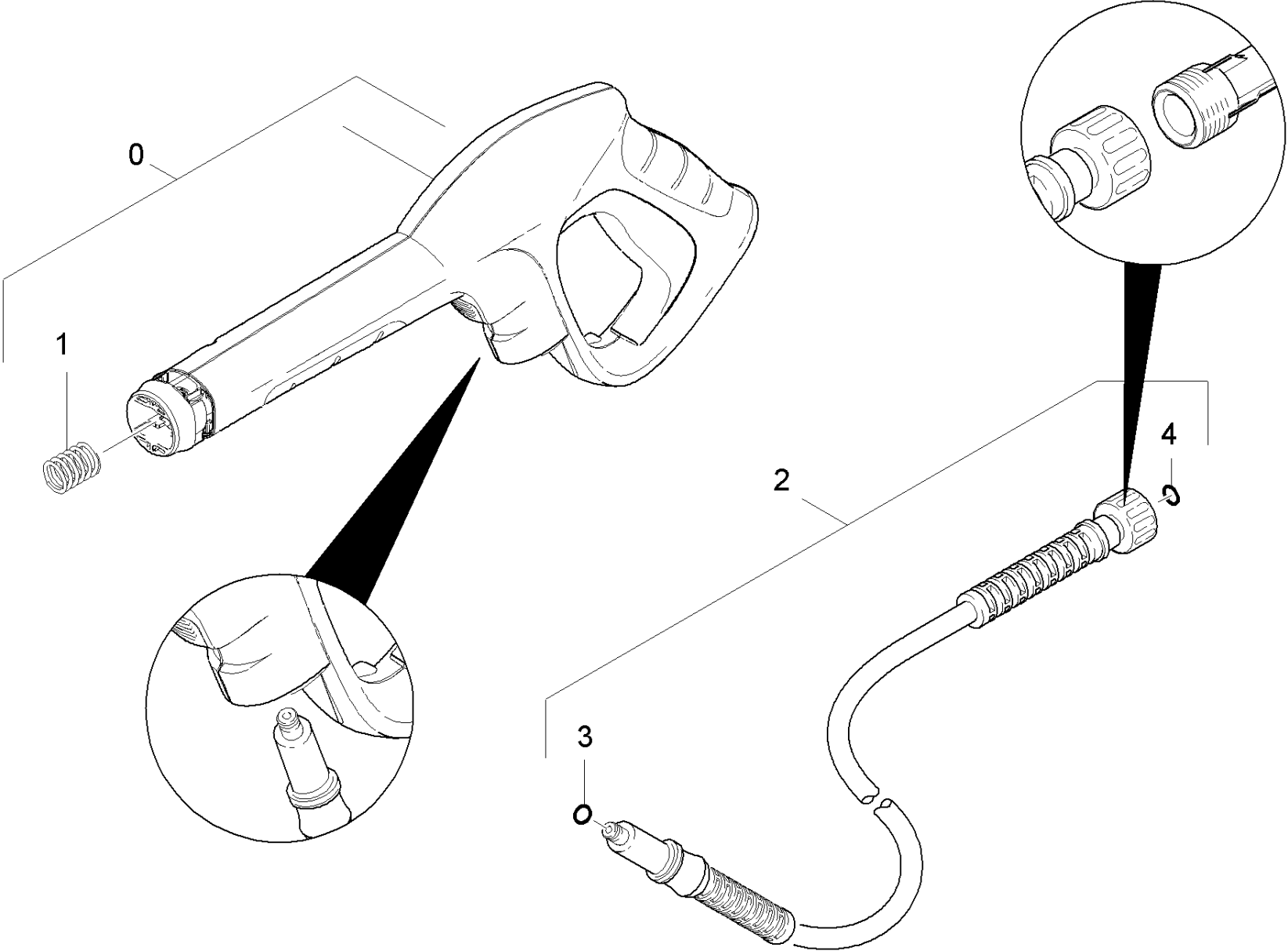
5 Spare part set O-Ring seal 5x (2.880-296.0)

---

Pos	Material #	Name	Qty.	Unit	from ser.nr.	up to ser.nr.
10	6.362-957.0	O-Ring seal 10,0 X 2,0-EPDM 85-90	5.000	ST	0000000000	0000000000

---





**42 Hand trigger gun (0.113-278.0)**

---

ET/VT (spare/wear parts)	Pos	Material #	Name	Qty.	Unit
X-X	0	2.642-172.0	Pistol best 2K verpackt	1.000	ST
	1	5.332-464.0	Pressure spring	1.000	ST
X	2	6.392-352.0	High pressure hose 11/7,5 40°C	1.000	ST
X-X	3	6.363-410.0	O-Ring seal 5,7x1,78 NBR 90Shore	1.000	ST
X-X	4	2.880-296.0	Spare part set O-Ring seal 5x	1.000	ST

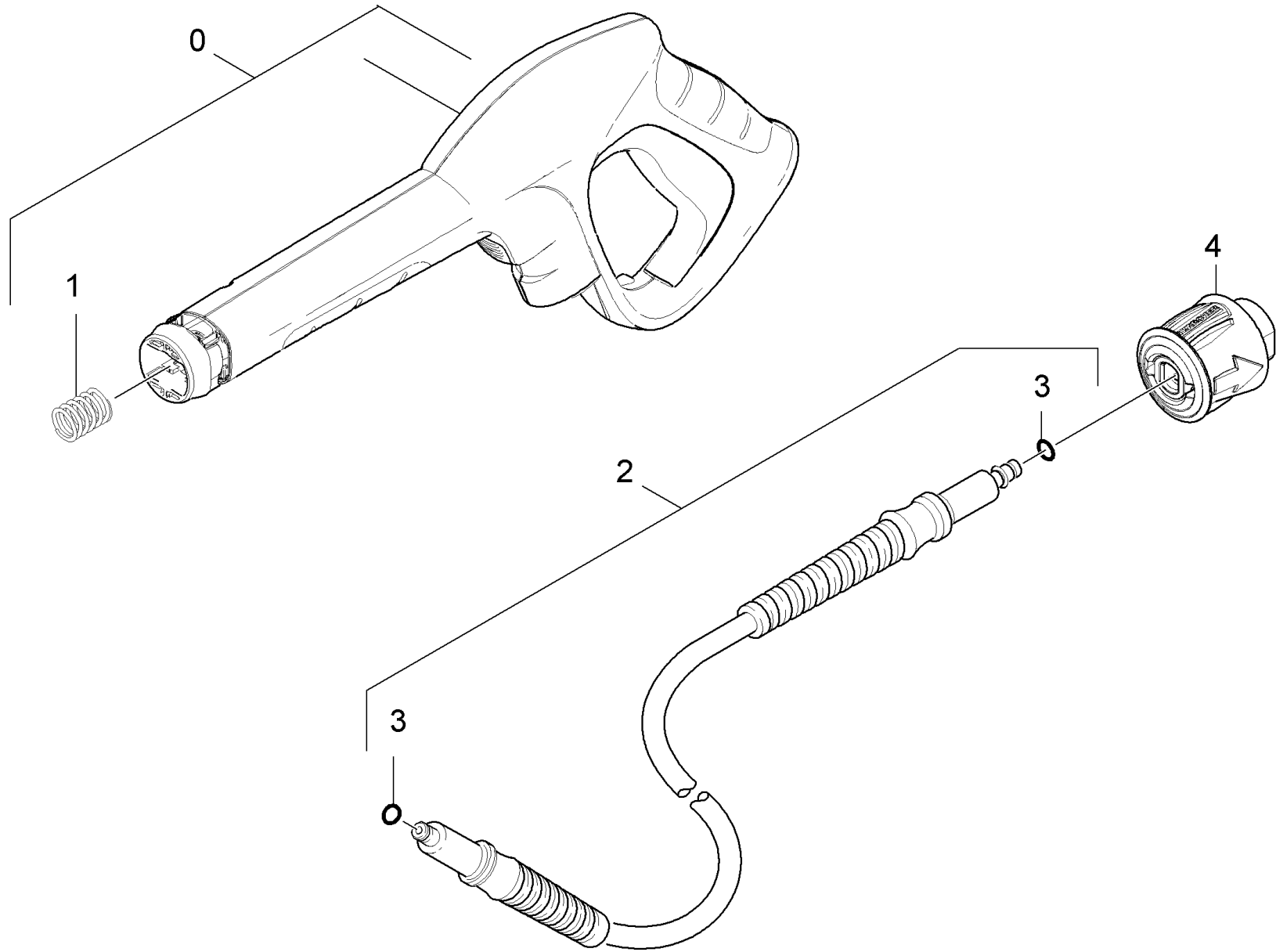
---

4 Spare part set O-Ring seal 5x (2.880-296.0)

---

Pos	Material #	Name	Qty.	Unit	from ser.nr.	up to ser.nr.
10	6.362-957.0	O-Ring seal 10,0 X 2,0-EPDM 85-90	5.000	ST	0000000000	0000000000

---

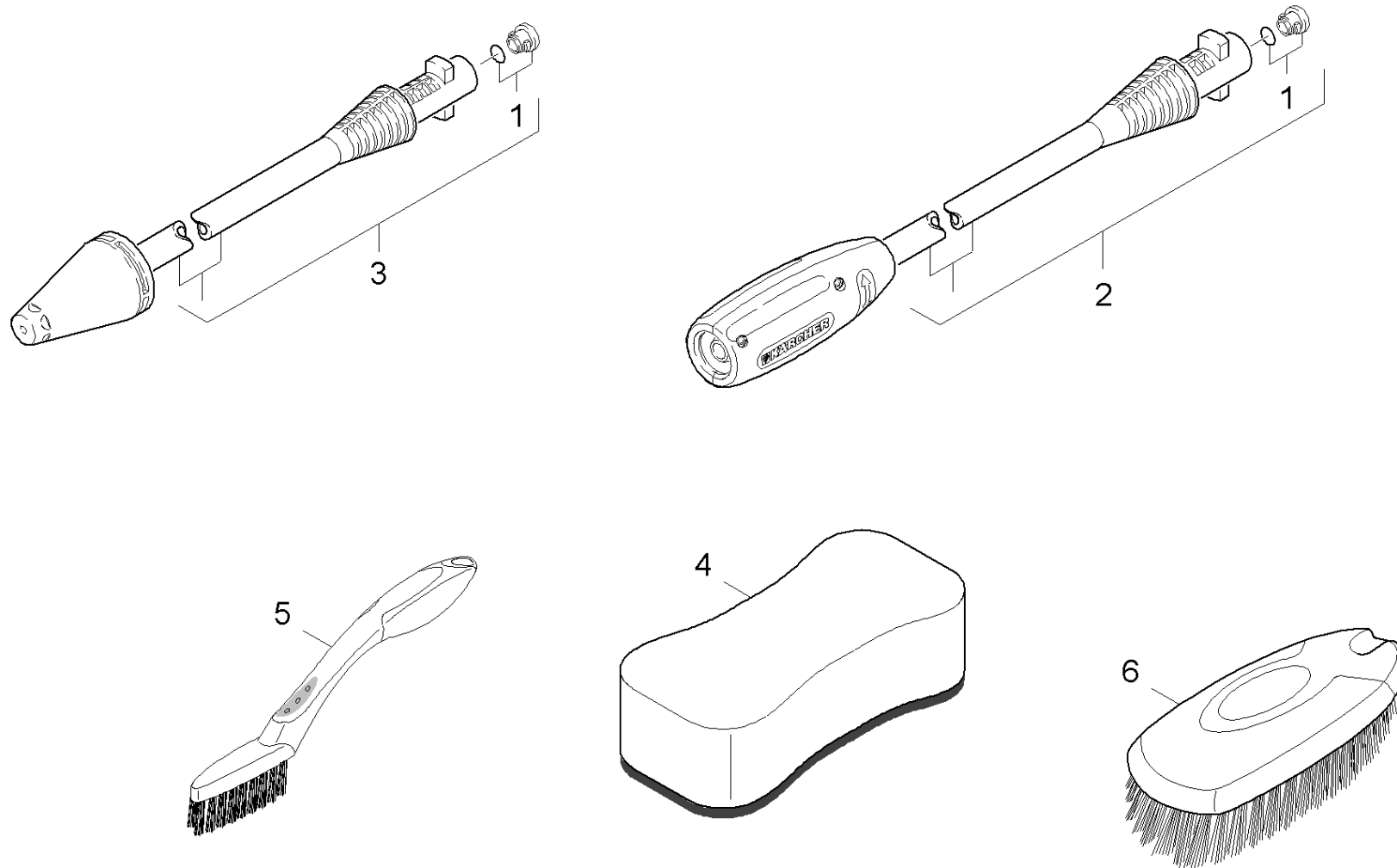


43 Hand trigger gun (0.116-630.0)

---

ET/VT (spare/wear parts)	Pos	Material #	Name	Qty.	Unit
X-X	0	2.642-172.0	Pistol best 2K verpackt	1.000	ST
	1	5.332-464.0	Pressure spring	1.000	ST
	2	6.392-966.0	High pressure hose 11/10 40°C	1.000	ST
X-X	3	6.363-410.0	O-Ring seal 5,7x1,78 NBR 90Shore	2.000	ST
	4	4.470-041.0	High pressure quick-fitting pipe union A	1.000	ST

---



**44 Jet pipe (0.109-935.0)**

ET/VT (spare/wear parts)	Pos	Material #	Name	Qty.	Unit
X-X	1	2.640-729.0	O-Ring seal set	1.000	ST
X	2	4.760-601.0	VPS K2 021 K	1.000	ST
X-X	3	4.763-977.0	Dirt blaster 0295 Clas.Line verpackt	1.000	ST
	4	9.760-473.0	Sponge	1.000	ST
	5	9.760-476.0	rim brush	1.000	ST
	6	9.760-477.0	brush-bristle	1.000	ST