

## **Spare parts list**

(1.514-106.0) HD 5/12 C \*CA

## Table of contents

---

Order instructions	2
HD 5/12 C *CA (1.514-106.0)	7
Spare parts list HD 5/12 C_6/13 C (5.970-209.0)	8
10 Housing	9
20 PUMP SET	11
21 Cylinder head	12
4 Valve (3 Stück) (2.884-916.0)	15
11 Drain plug only for replacement (4.132-007.0)	17
20 Valve pin complete (4.584-022.0)	19
21 Nozzle insert only for replacement (4.769-034.0)	21
21 Nozzle insert (4.769-035.0)	23
31 Spindle complete (4.291-014.0)	25
47 Screw connector part (4.401-074.0)	27
100 PUMP SET HD 5/12 C (2.883-997.0)	29
10 Drain plug only for replacement (4.132-007.0)	30
22 Thrust guidance	32
30 Motor	34
40 Accessories	37
41 Hand trigger gun	38
1 HAND TRIGGER GUN EASY PRESS (4.775-463.0)	40
9002 Lever complete (4.481-209.0)	42
4 Lever complete (4.481-209.0)	44
42 Hand trigger gun	46
Hand trigger gun (4.775-492.0)	48
5 Lever complete (4.481-209.0)	50
17 Hose assembly standard DN6 25MPa 10m (6.391-238.0)	52
43 Hand trigger gun	54
5 Lever complete (4.481-209.0)	56
14 Hose assembly standard DN6 25MPa 10m (6.391-238.0)	58
14 Hose assembly standard DN6 25MPa 15m (6.391-394.0)	60
44 Jet pipe	62
45 Jet pipe	64
1 Jet pipe packaged only for replacement (4.760-663.0)	66
46 Nozzle	68
47 Nozzle	70
Triple jet nozzle replacement 031 (4.767-145.0)	72
2 Spare parts list triple jet nozzle (5.970-837.0)	73
10 Triple jet nozzle plastics	74

## Table of contents

---

20 Triple jet nozzle brass	76
Triple jet nozzle replacement 033 (4.767-146.0)	78
2 Spare parts list triple jet nozzle (5.970-837.0)	79
10 Triple jet nozzle plastics	80
20 Triple jet nozzle brass	82
Triple jet nozzle replacement 036 (4.767-148.0)	84
2 Spare parts list triple jet nozzle (5.970-837.0)	85
10 Triple jet nozzle plastics	86
20 Triple jet nozzle brass	88
Triple jet nozzle replacement 038 (4.767-149.0)	90
2 Spare parts list triple jet nozzle (5.970-837.0)	91
10 Triple jet nozzle plastics	92
20 Triple jet nozzle brass	94
50 Electric box	96

HD 5/12 C \*CA (1.514-106.0)

---

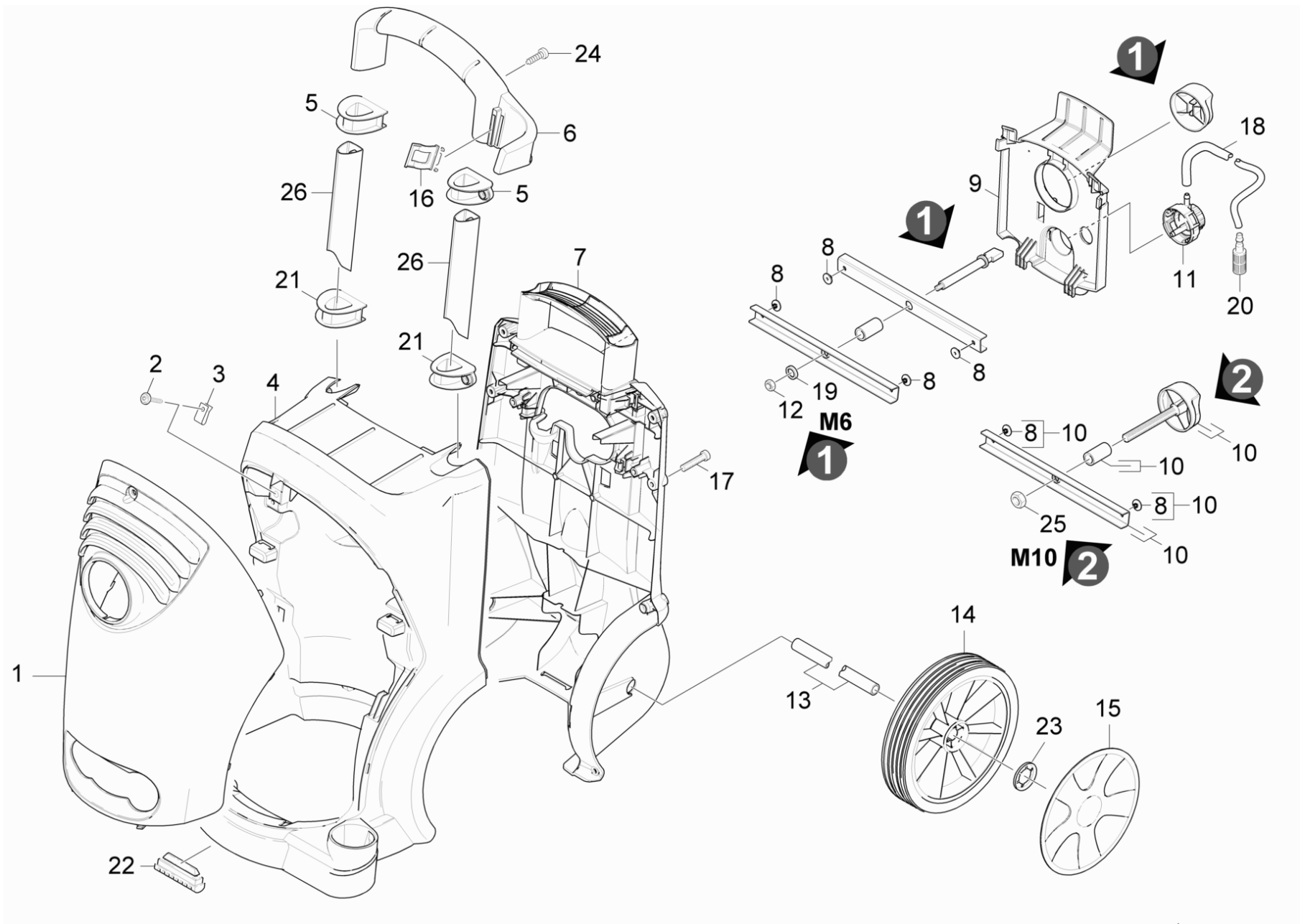
POS	Article no.	Description	Quantity	Unit
0	5.970-209.0	Spare parts list HD 5/12 C_6/13 C	1.000	ST
<b>Item text2:</b> 3EC1583E08967362E100000C34F56CF15141010				

---

Spare parts list HD 5/12 C\_6/13 C (5.970-209.0)

---

<b>POS</b>	<b>Description</b>	<b>Quantity</b>	<b>Unit</b>
10	Housing	1.000	ST
20	PUMP SET	1.000	ST
30	Motor	1.000	ST
40	Accessories	1.000	ST
50	Electric box	1.000	ST



## 10 Housing

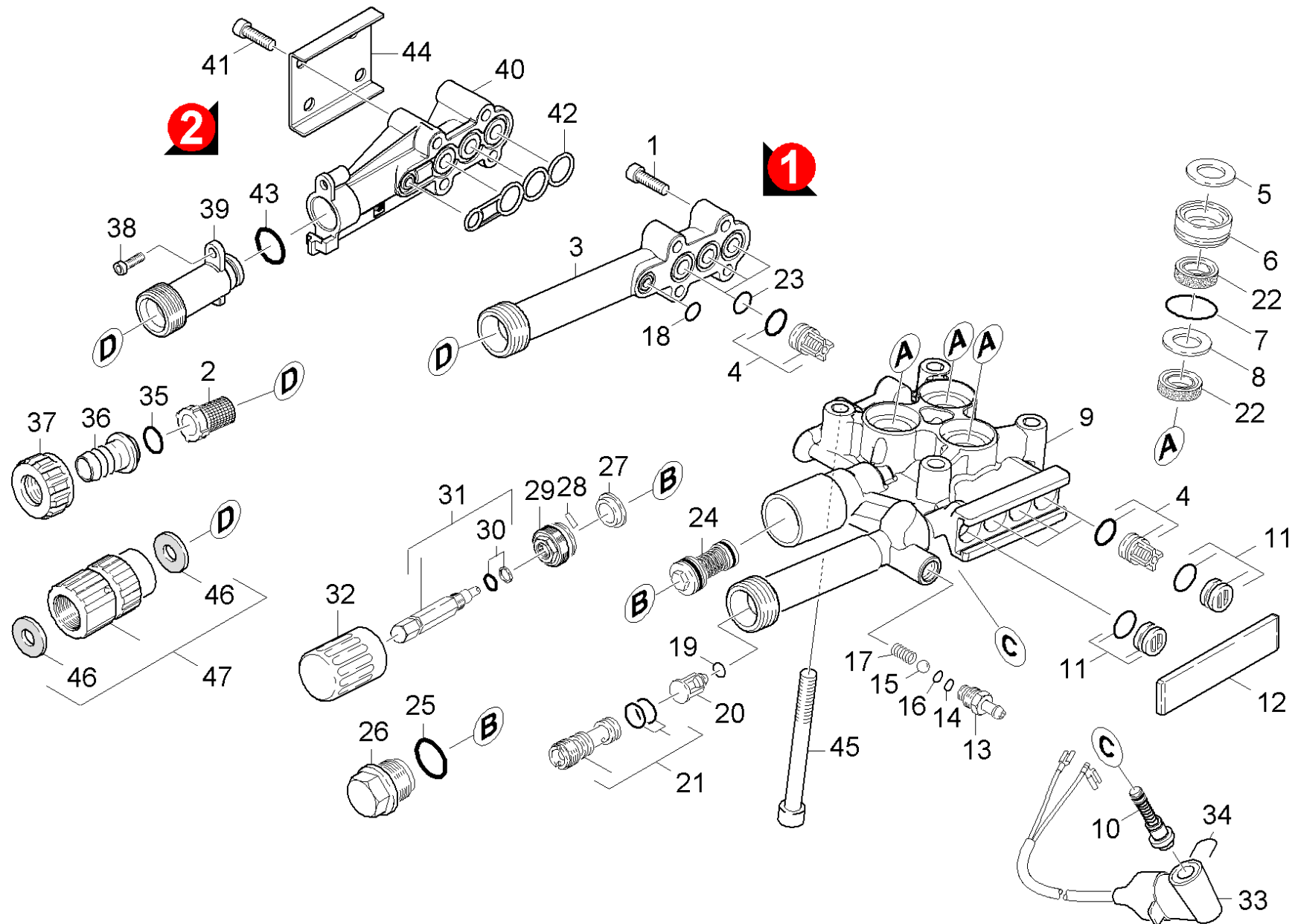
POS	Article no.	Description	Quantity	Unit	Remark	Foot note text
1	5.069-236.0	Device cover	1.000	ST		
	<b>Item text1:</b> 1.514-252.0					
1	5.069-089.0	Device cover	1.000	ST		
2	6.304-099.0	Saucer-head screw M 6x 18-4.8-R2R	1.000	ST		
3	6.310-053.0	Putting nut	1.000	ST		
4	5.050-206.0	Frame front part	1.000	ST		
5	5.032-554.0	Guide	2.000	ST		
6	5.321-721.0	Hand grip	1.000	ST		
7	5.050-207.0	Frame rear panel	1.000	ST		
8	6.315-086.0	Rivet	4.000	ST		
9	5.032-648.0	Covering cap	1.000	ST	HD 5/14;HD 5/15	
9	5.032-556.0	Covering cap	1.000	ST	HD 5/12;HD 5/15;HD 6/13;HD 1.8/13	
10	2.885-007.0	Spare part set Griff	1.000	ST		
11	4.063-778.0	Proportioning valve chemistry	1.000	ST		
12	7.311-061.0	Hexagon nut M6-LH -8-A2E ISO 4032	1.000	ST	( M6 )	
13	5.105-399.0	Axle	1.000	ST		
14	6.435-662.0	Wheel D200	2.000	ST		
15	6.435-725.0	Wheel cap black	2.000	ST		
	<b>Item text1:</b> 1.514-252.0					
15	4.515-103.0	Spare parts set wheel cap	1.000	ST		SET OF 2 PIECES
16	5.044-216.0	Holder	1.000	ST		
17	7.303-108.0	Screw 5x20 -10.9-R2R (In6Rd)	10.000	ST		
18	6.388-216.0	Hose DN 5	1.000	M		TO ORDER AS CUT GOODS
19	7.312-260.0	Washer 6 -100HV-A3E ISO 7094	1.000	ST		
20	5.731-652.0	Filter with weight	1.000	ST		
21	5.032-555.0	Guide	2.000	ST		
22	5.057-062.0	Support	2.000	ST		
23	6.343-168.0	Lock washer	2.000	ST		
24	7.303-046.0	Screw M6x12 -St-R3R (In6Rd)	2.000	ST		
25	7.311-088.0	Hexagon nut M10-8-A2K EN 1664	1.000	ST	( M10 )	
26	5.107-248.0	Bar shearing shackle	2.000	ST		

## 20 PUMP SET

---

<b>POS</b>	<b>Description</b>	<b>Quantity</b>	<b>Unit</b>
21	Cylinder head	1.000	ST
22	Thrust guidance	1.000	ST



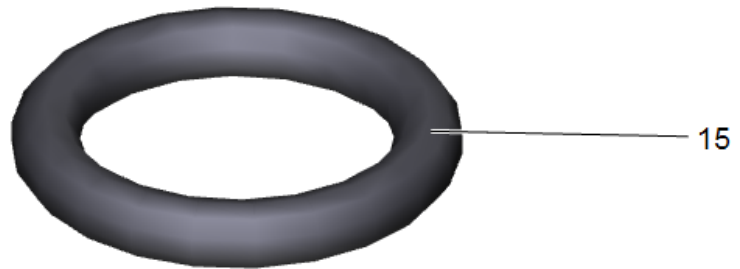
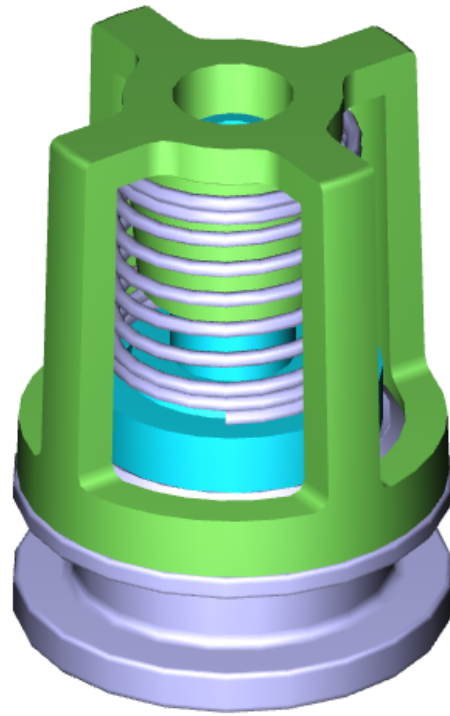


## 21 Cylinder head

POS	Article no.	Description	Quantity	Unit	Remark	Foot note text
1	7.306-105.0	Screw M6x30 -8.8-R3R (In6Rd)	4.000	ST		
2	6.414-252.0	Strainer	1.000	ST		
3	5.064-150.0	Suction cover	1.000	ST		
4	2.884-916.0	Valve (3 Stück)	2.000	ST		SET CONSITSTS OF 3X VALVE
5	5.116-093.0	Washer	3.000	ST		
6	5.112-726.0	Bush	3.000	ST		
7	6.362-376.0	O-Ring seal 24,0 X 1,5	3.000	ST		
8	5.115-721.0	Washer	3.000	ST		
9	5.550-302.0	Cylinder head	1.000	ST		
10	2.884-501.0	Spare part set control piston	1.000	ST		
11	4.132-007.0	Drain plug only for replacement	4.000	ST		
12	5.003-062.0	Plate	1.000	ST		
13	5.443-624.0	Nipple	1.000	ST		
14	6.362-113.0	O-Ring seal 6,0 x 2,0 NBR 70	1.000	ST		
15	7.401-908.0	Sphere 7 G300 -1.4301 DIN 5401	1.000	ST		
16	6.363-597.0	O-Ring seal 5,28 x 1,78	1.000	ST		
17	5.332-258.0	Helical spring	1.000	ST		
18	6.362-384.0	O-Ring seal 9x1,5 - NBR 70	1.000	ST		
19	6.363-613.0	O-Ring seal 4 x 2 -NBR90	1.000	ST		
20	4.584-022.0	Valve pin complete	1.000	ST		
21	4.769-035.0	Nozzle insert	1.000	ST		
	<b>Item text1:</b> 1.514-201.0 /-203.0 /-251.0 /-252.0 /					
21	4.769-034.0	Nozzle insert only for replacement	1.000	ST		
	<b>Item text1:</b> 1.514-101.0 /-103.0 /-104.0 /-105.0 / -106.0 /-109.0 /-110.0 /-111.0 /-112.0 /-113.0 /-123.0 /-124.0 / -127.0 /-151.0 /-204.0 /-205.0 /-206.0 /-207.0 /-255.0 /-503.0 /-507.0 /-508.0					
22	6.365-477.0	Grooved ring 12x20x5,3/2,8	6.000	ST		
23	6.362-533.0	O-Ring seal 14,0 X 1,5-NBR 70	3.000	ST		
24	4.591-038.0	Overflow valve	1.000	ST		
25	6.362-989.0	O-Ring seal 18x2 - NBR 80	1.000	ST	HD 5/12 C / HD 1.8/13 C Ed	
26	5.411-172.0	Screw plug	1.000	ST	HD 5/12 C / HD 1.8/13 C Ed	
27	5.110-630.0	Sleeve	1.000	ST	HD 5/14 C /HD 5/15 C /HD 6/13 C	
28	7.314-629.0	Grooved pin 2x10 -A1 ISO 8742	1.000	ST	HD 5/14 C /HD 5/15 C /HD 6/13 C	
29	5.583-147.0	Valve screw	1.000	ST	HD 5/14 C /HD 5/15 C /HD 6/13 C	

## 21 Cylinder head

POS	Article no.	Description	Quantity	Unit	Remark	Foot note text
30	6.362-468.0	O-Ring seal complete 1ST.-R.	1.000	ST	HD 5/14 C /HD 5/15 C /HD 6/13 C	
31	4.291-014.0	Spindle complete	1.000	ST	HD 5/14 C /HD 5/15 C /HD 6/13 C	
32	5.321-307.0	Handhold	1.000	ST	HD 5/14 C /HD 5/15 /HD 6/13 C	
33	4.744-195.0	Switch complete	1.000	ST		
	<b>Item text1:</b> /1.514-106.0 / -111.0					
33	4.744-168.0	Switch complete	1.000	ST		
	<b>Item text1:</b> /1.514-101.0 /-103.0 /-104.0 /-105.0 /-109.0 /-110.0 /-112.0 /-113.0 /-123.0 /124.0 /-127.0 /-151.0 /-201.0 /-203.0 /-204.0 /-205.0 /-206.0 / -207.0 /-251.0 / -252.0 /-255.0 /-503.0 /-507.0 /-508.0					
34	5.034-494.0	Retaining bracket	1.000	ST		
35	6.362-078.0	O-Ring seal 13,3x2,4	1.000	ST		
36	5.443-229.0	Hose stem	1.000	ST		
37	5.310-065.0	Nut	1.000	ST		
38	7.303-108.0	Screw 5x20 -10.9-R2R (In6Rd)	1.000	ST		
39	5.402-727.0	Suction nipple	1.000	ST		
40	5.064-230.0	Suction cover	1.000	ST		
41	7.306-129.0	Screw M6x40 -8.8-R3R (In6Rd)	4.000	ST		
42	5.365-284.0	Profile gasket	1.000	ST		
43	6.362-481.0	O-Ring seal 14,0 x 2,0 NBR 80	1.000	ST		
44	5.005-314.0	Plate suction cover	1.000	ST		
45	7.306-106.0	Cylinder head screw M8x70 -8.8-A2E ISO4	4.000	ST		
46	5.364-129.0	Flat gasket	2.000	ST		
47	4.401-074.0	Screw connector part	1.000	ST		
	<b>Item text1:</b> 1.514-106.0 /-111.0					
100	2.883-997.0	PUMP SET HD 5/12 C	1.000	ST		

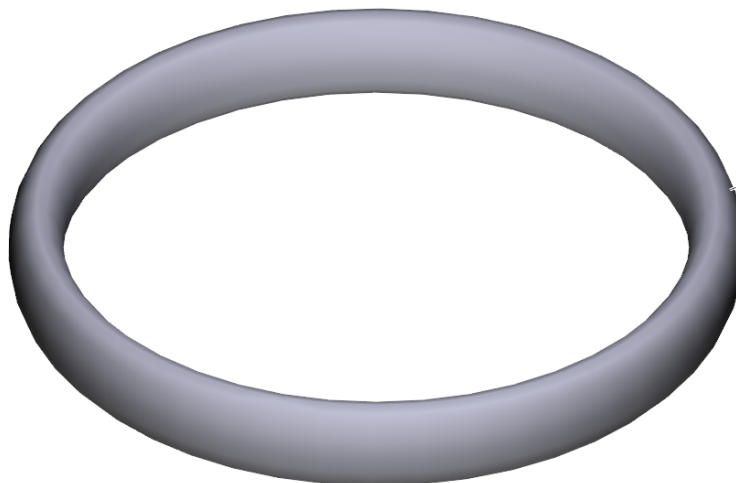
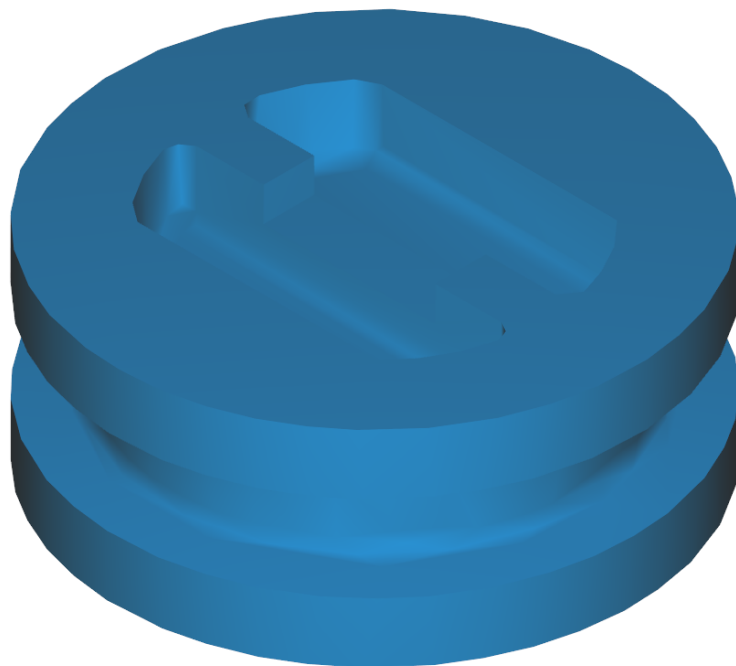


4 Valve (3 Stück) (2.884-916.0)

---

<b>POS</b>	<b>Article no.</b>	<b>Description</b>	<b>Quantity</b>	<b>Unit</b>
15	6.362-077.0	O-Ring seal 10 x 2,2 NBR 70	1.000	ST

---



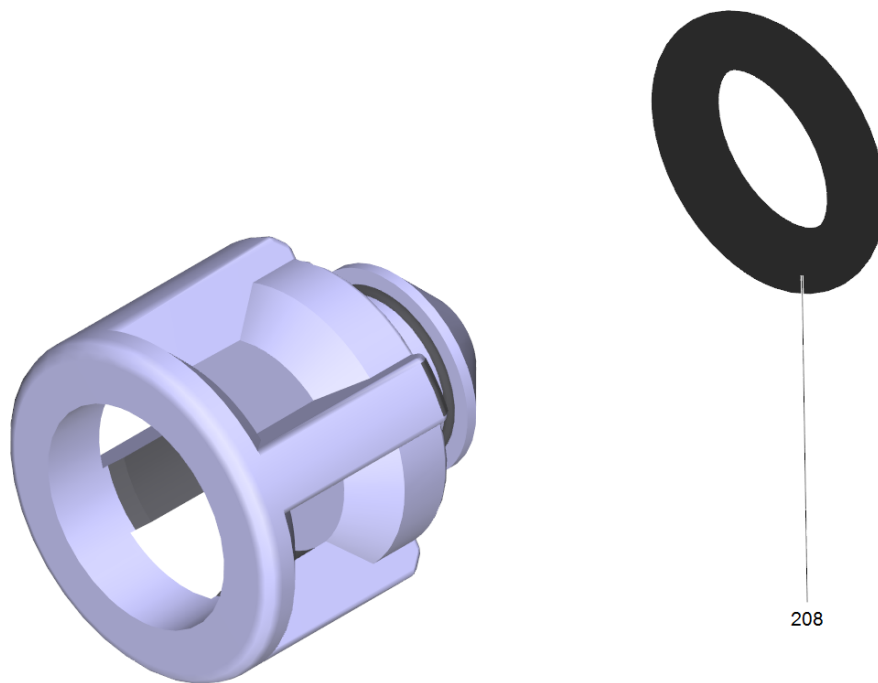
18

11 Drain plug only for replacement (4.132-007.0)

---

<b>POS</b>	<b>Article no.</b>	<b>Description</b>	<b>Quantity</b>	<b>Unit</b>
18	6.362-458.0	O-Ring seal 11,0x2,0-NBR 70	1.000	ST

---



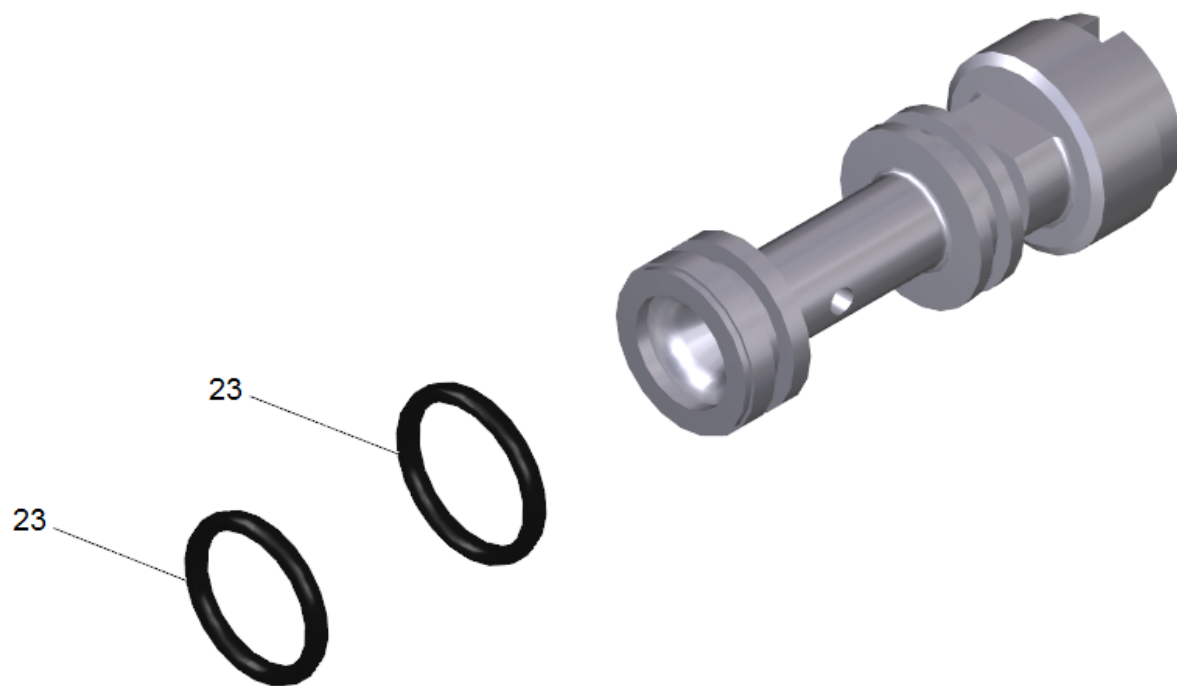
208



20 Valve pin complete (4.584-022.0)

---

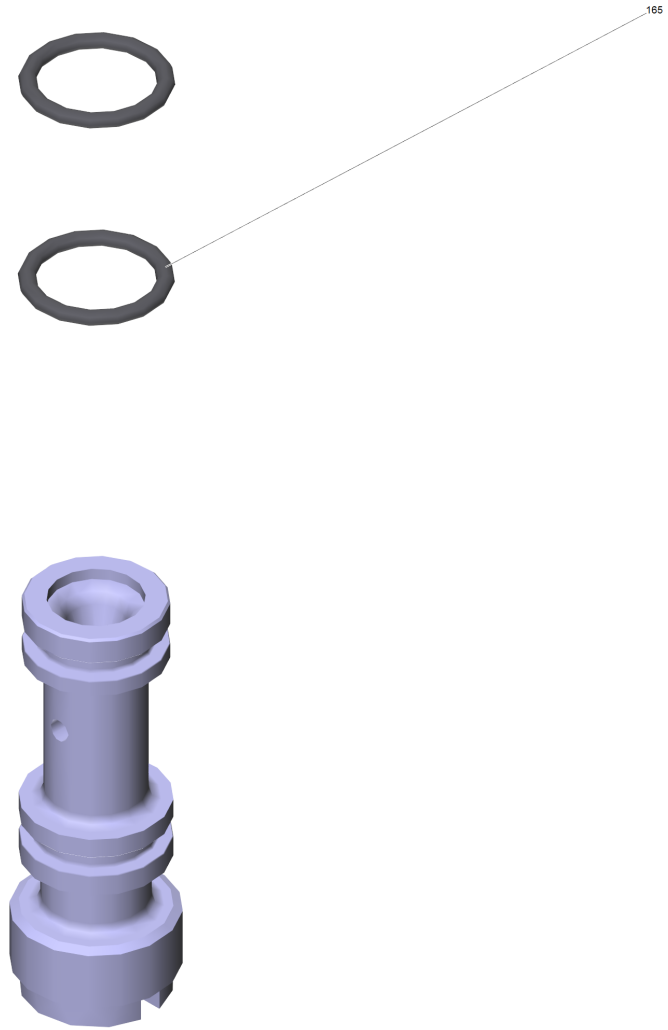
<b>POS</b>	<b>Article no.</b>	<b>Description</b>	<b>Quantity</b>	<b>Unit</b>
208	6.363-613.0	O-Ring seal 4 x 2 -NBR90	1.000	ST



21 Nozzle insert only for replacement (4.769-034.0)

---

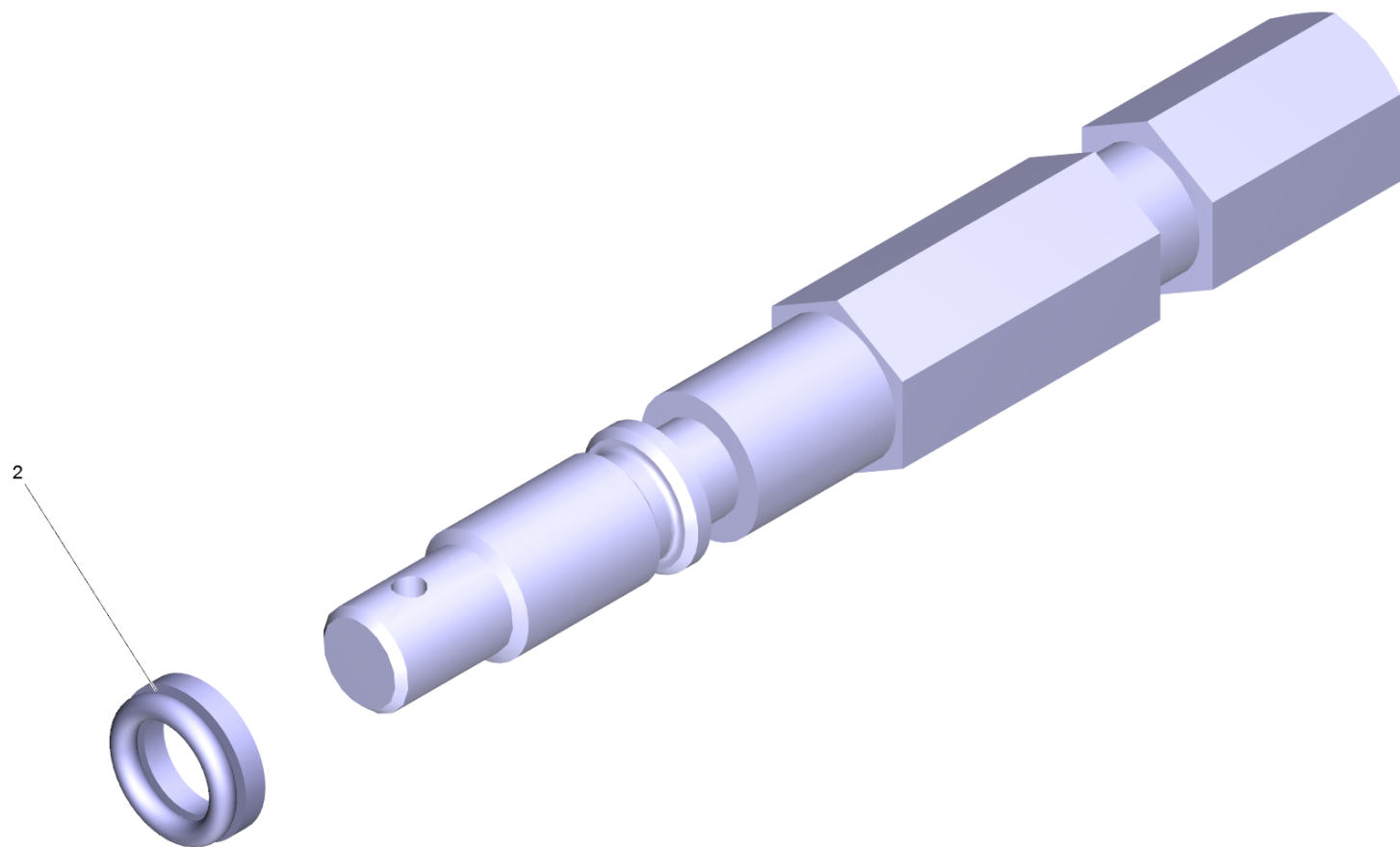
<b>POS</b>	<b>Article no.</b>	<b>Description</b>	<b>Quantity</b>	<b>Unit</b>
23	6.362-384.0	O-Ring seal 9x1,5 - NBR 70	2.000	ST



21 Nozzle insert (4.769-035.0)

---

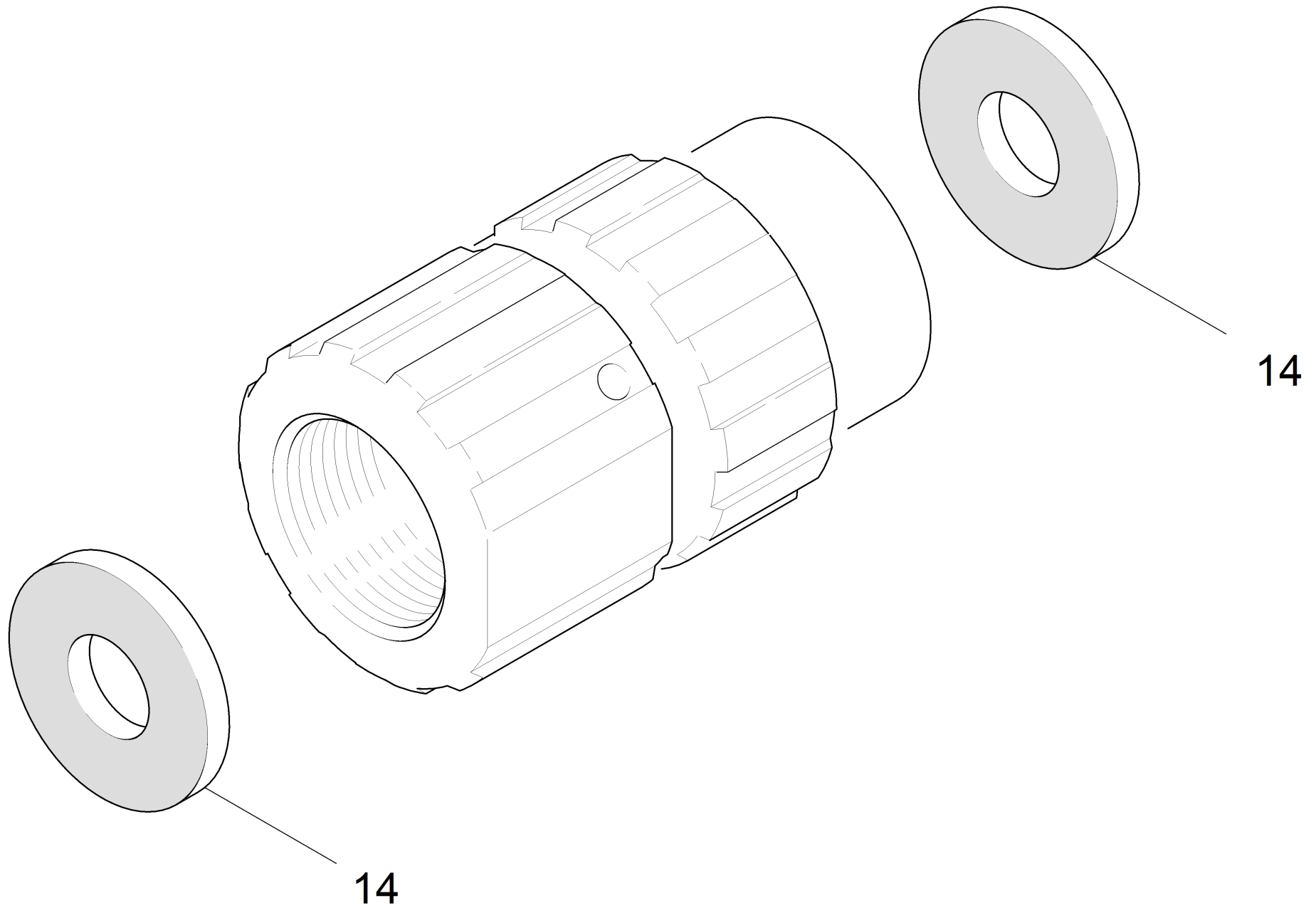
<b>POS</b>	<b>Article no.</b>	<b>Description</b>	<b>Quantity</b>	<b>Unit</b>
165	6.362-384.0	O-Ring seal 9x1,5 - NBR 70	2.000	ST



31 Spindle complete (4.291-014.0)

---

<b>POS</b>	<b>Article no.</b>	<b>Description</b>	<b>Quantity</b>	<b>Unit</b>
2	6.362-468.0	O-Ring seal complete 1ST.-R.	1.000	ST





47 Screw connector part (4.401-074.0)

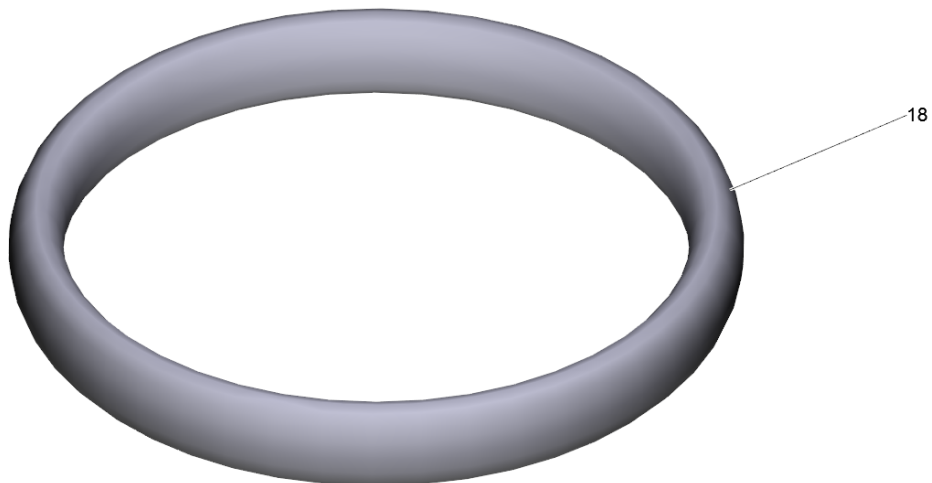
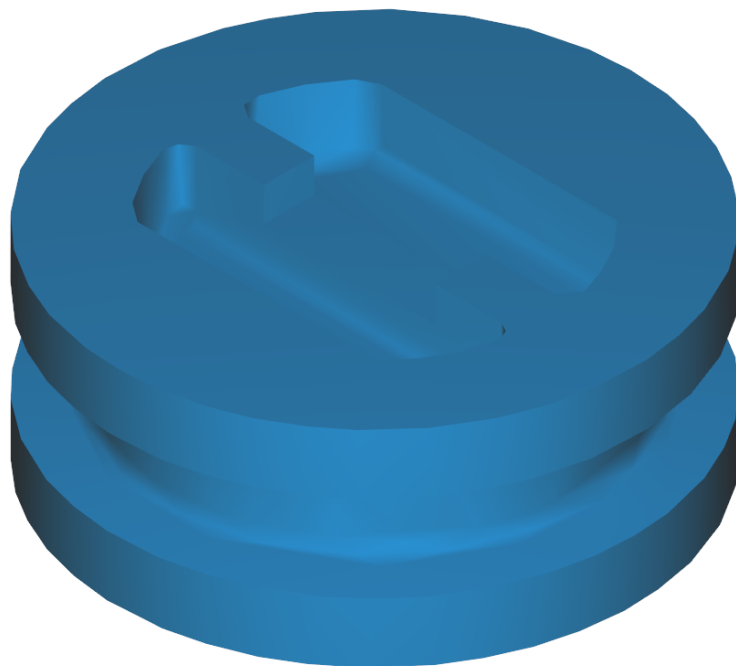
---

<b>POS</b>	<b>Article no.</b>	<b>Description</b>	<b>Quantity</b>	<b>Unit</b>
14	5.364-129.0	Flat gasket	2.000	ST

---

100 PUMP SET HD 5/12 C (2.883-997.0)

POS	Article no.	Description	Quantity	Unit
10	4.132-007.0	Drain plug only for replacement	4.000	ST
20	4.580-311.0	Valve complete	6.000	ST
30	5.112-726.0	Bush	3.000	ST
40	5.115-721.0	Washer	3.000	ST
50	5.116-093.0	Washer	3.000	ST
60	6.288-072.0	Silicon grease	1.000	ST
70	6.362-376.0	O-Ring seal 24,0 X 1,5	3.000	ST
80	6.362-384.0	O-Ring seal 9x1,5 - NBR 70	1.000	ST
90	6.362-533.0	O-Ring seal 14,0 X 1,5-NBR 70	3.000	ST
100	6.365-393.0	Oil sealing 12x20x4/6	3.000	ST
110	6.365-477.0	Grooved ring 12x20x5,3/2,8	6.000	ST

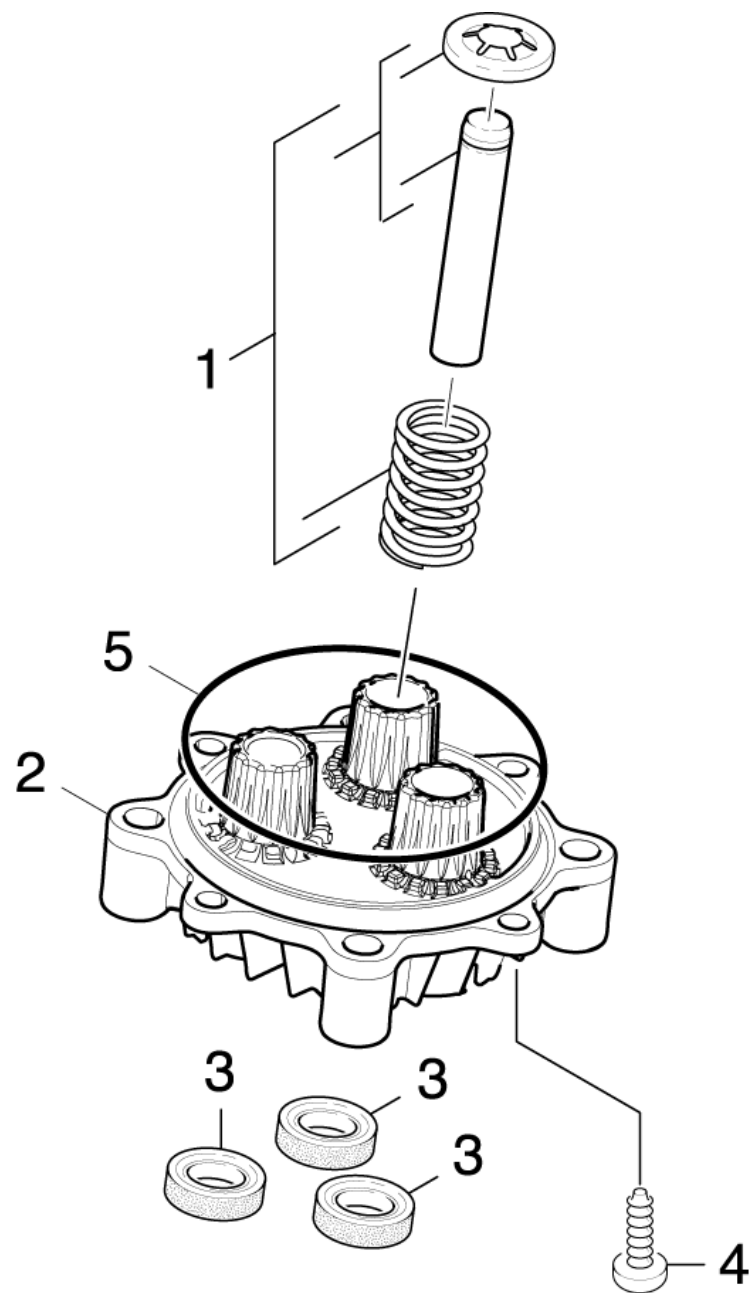


10 Drain plug only for replacement (4.132-007.0)

---

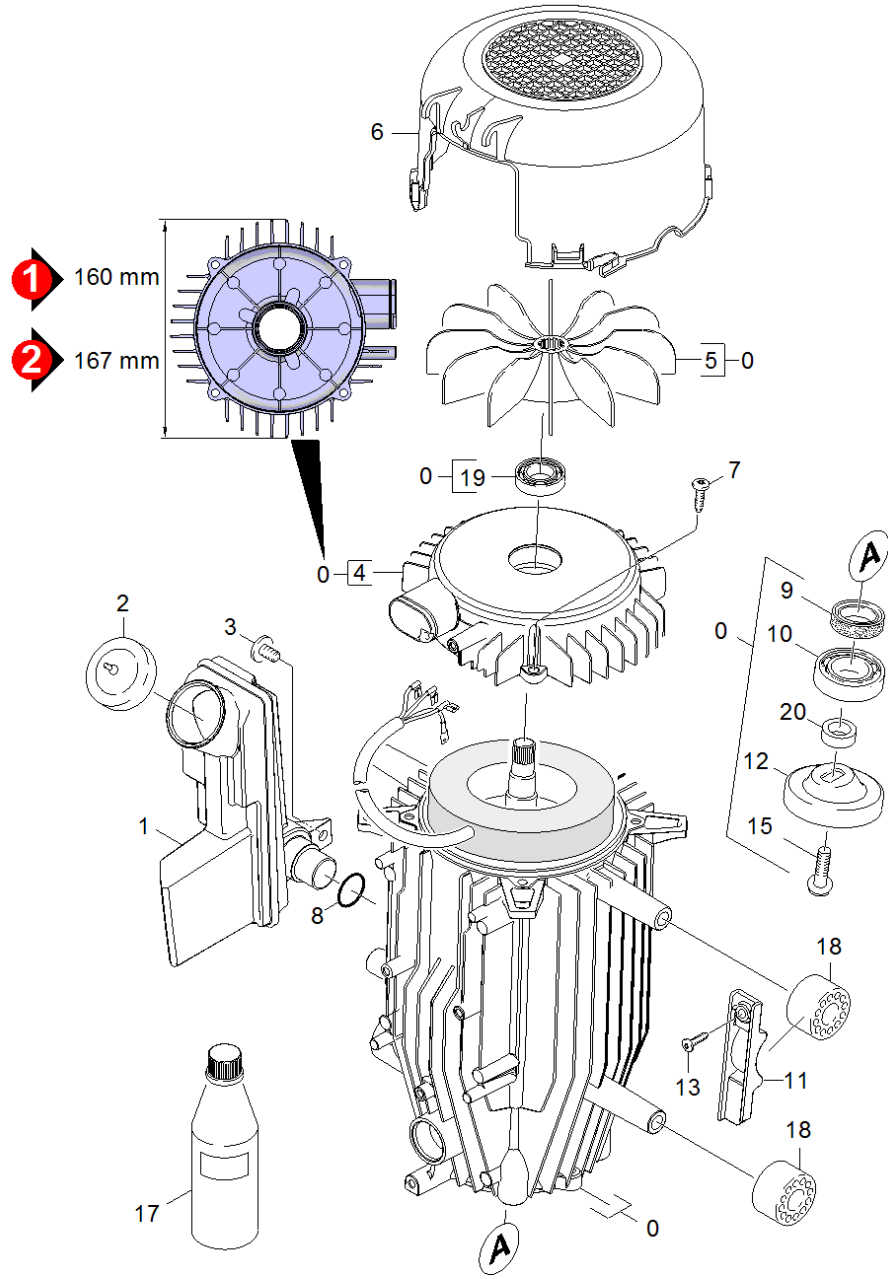
<b>POS</b>	<b>Article no.</b>	<b>Description</b>	<b>Quantity</b>	<b>Unit</b>
18	6.362-458.0	O-Ring seal 11,0x2,0-NBR 70	1.000	ST

---



## 22 Thrust guidance

POS	Article no.	Description	Quantity	Unit
1	4.553-230.0	Piston complete	3.000	ST
	<b>Item text1:</b> / 1.514-101.0 /-103.0 /-104.0 /-105.0 /-112.0 /-113.0 /-123.0 /-124.0 /-151.0 /-503.0 /-507.0 /-508.0			
1	4.553-302.0	Piston complete only for replacement	3.000	ST
	<b>Item text1:</b> 1.514-110.0 /-127.0			
1	4.553-273.0	Piston complete only for replacement	3.000	ST
	<b>Item text1:</b> / 1.514-205.0 /-206.0 /-207.0			
1	4.553-301.0	Piston complete only for replacement	3.000	ST
	<b>Item text1:</b> 1.514-109.0			
1	4.553-231.0	Piston complete only for replacement	3.000	ST
	<b>Item text1:</b> / 1.514-201.0 / -203.0 / -204.0			
	<b>Item text2:</b> / -251.0 / -252.0 / -255.0			
1	4.553-237.0	Piston D12 *CDN	3.000	ST
	<b>Item text1:</b> / 1.514-106.0 / -111.0			
2	5.061-018.0	Thrust guidance	1.000	ST
3	6.365-393.0	Oil sealing 12x20x4/6	3.000	ST
4	7.303-047.0	Screw M6x16 -St-R3R (In6Rd)	2.000	ST
5	6.363-252.0	O-Ring seal 75,87 x 2,62	1.000	ST



## 30 Motor

POS	Article no.	Description	Quantity	Unit	Foot note text
0	4.624-012.0	Motor complete only for replacement	1.000	ST	VERSION 1
		<b>Item text1:</b> 1.514-123.0 /-124.0 /-508.0			
0	4.623-615.0	Motor complete	1.000	ST	VERSION 1
		<b>Item text1:</b> 1.514-101.0 / -103.0 / -104.0 / -105.0			
		<b>Item text2:</b> / -151.0			
0	4.624-093.0	Motor complete only for replacement	1.000	ST	VERSION 2
		<b>Item text1:</b> 1.514-201.0 /-203.0 /-251.0 /-252.0			
0	4.624-095.0	Motor complete only for replacement	1.000	ST	VERSION 2
		<b>Item text1:</b> 1.514-123.0 /-124.0 /-508.0			
0	4.623-815.0	Motor complete	1.000	ST	
		<b>Item text1:</b> 1.514-112.0 /-113.0 /-503.0 /-507.0 /			
0	4.624-091.0	Motor complete only for replacement	1.000	ST	VERSION 2
		<b>Item text1:</b> 1.514-101.0 /-103.0 /-104.0 /-105.0 /			
		<b>Item text2:</b> -151.0			
0	4.623-618.0	Motor complete	1.000	ST	VERSION 1
		<b>Item text1:</b> 1.514-109.0 / -201.0 / -203.0 / -204.0			
		<b>Item text2:</b> / -251.0 / -252.0 / -255.0			
0	4.623-669.0	Motor complete only for replacement	1.000	ST	
		<b>Item text1:</b> 1.514-110.0 /-127.0			
0	4.623-680.0	Motor complete only for replacement	1.000	ST	
		<b>Item text1:</b> / 1.514-106.0 / -111.0			
0	4.623-684.0	Motor complete only for replacement	1.000	ST	
		<b>Item text1:</b> / 1.514-205.0 /-206.0 /-207.0			
1	5.070-639.0	Tank oil	1.000	ST	
2	5.063-389.0	Cover	1.000	ST	
3	6.303-153.0	Screw M5x15-ST-R2R (IN6RD)	1.000	ST	
4	5.094-148.0	Bearing cover B	1.000	ST	VERSION 2
4	5.094-127.0	Bearing cover B	1.000	ST	VERSION 1
5	5.600-060.0	Blower wheel	1.000	ST	
6	5.692-081.0	Air circulation	1.000	ST	
7	6.303-320.0	Screw M 5x 20-St-R2R	4.000	ST	
8	6.362-161.0	O-Ring seal 19,3 X 2,4	1.000	ST	
9	7.367-001.0	Radial shaft seal ring A24x37x7 -NBR DI	1.000	ST	



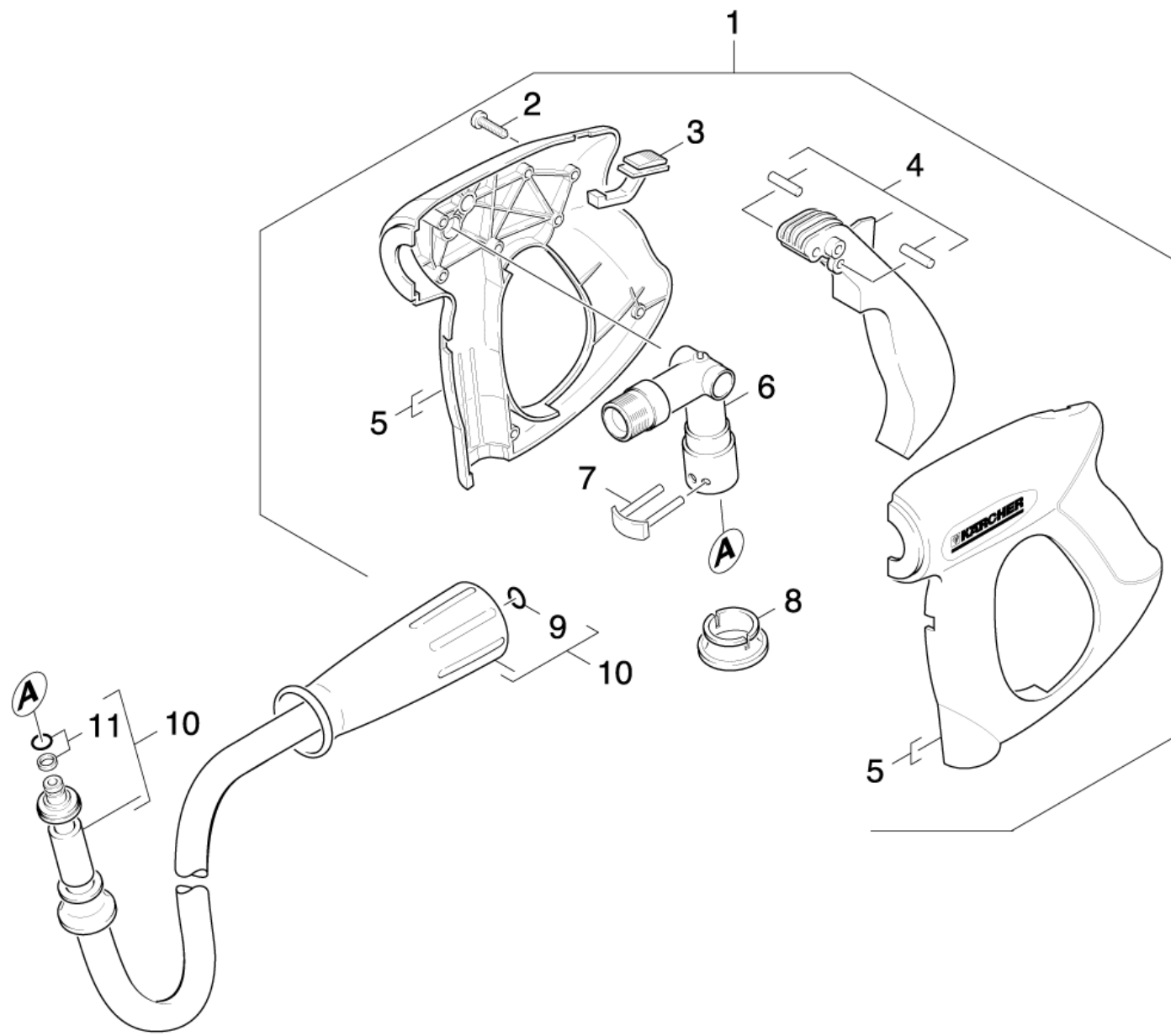
## 30 Motor

POS	Article no.	Description	Quantity	Unit	Foot note text
10	6.401-437.0	Ball bearing	1.000	ST	
	<b>Item text1:</b> 1.514-101.0 /-103.0 /-104.0 /-105.0 /-106.0 /-109.0 /-110.0 /-111.0 /-112.0 /-113.0 /-127.0 /-151.0 /-201.0 /-203.0 /-204.0 /-205.0 /-206.0 /-207.0 /-251.0 /-252.0 /-255.0 /-503.0 /-507.0				
10	6.401-427.0	Angular contact ball bearing	1.000	ST	
	<b>Item text1:</b> 1.514-123.0 /-124.0 /-508.0				
11	5.802-288.0	Mounting part	2.000	ST	
12	6.401-291.0	Wobble plate	1.000	ST	
	<b>Item text1:</b> 1.514-110.0 /-127.0				
12	6.401-395.0	Wobble plate	1.000	ST	
	<b>Item text1:</b> 1.514-201.0 / -203.0 / -204.0 / -251.0 / <b>Item text2:</b> -252.0 / -255.0				
12	6.401-289.3	Wobble plate	1.000	ST	
	<b>Item text1:</b> / 1.514-205.0 /-206.0 /-207.0				
12	6.401-289.0	Wobble plate	1.000	ST	
	<b>Item text1:</b> 1.514-101.0 /-103.0 /-104.0 /-105.0 /-109.0 /-112.0 /-113.0 /-123.0 /-124.0 /-151.0/-503.0 /-507.0 /-508.0 /				
12	6.401-196.0	Wobble plate	1.000	ST	
	<b>Item text1:</b> / 1.514-106.0 / -111.0				
13	7.303-108.0	Screw 5x20 -10.9-R2R (In6Rd)	2.000	ST	
15	9.086-169.0	Wobble plate screw M8x16	1.000	ST	
17	6.288-050.0	Engine oil 1L	1.000	ST	
18	5.767-005.0	Rubber buffer	4.000	ST	
19	7.401-128.0	Ball bearing 6202-2RS -Wälzl.St DIN 625	1.000	ST	
20	5.116-144.0	Washer	1.000	ST	VERSION 2
	<b>Item text1:</b> 1.514-101.0 /-103.0 /-104.0 /-105.0 / -123.0 /-124.0 /-144.0 /-151.0 /-201.0 /-203.0 /-251.0 /-252.0 /-508.0				

## 40 Accessories

---

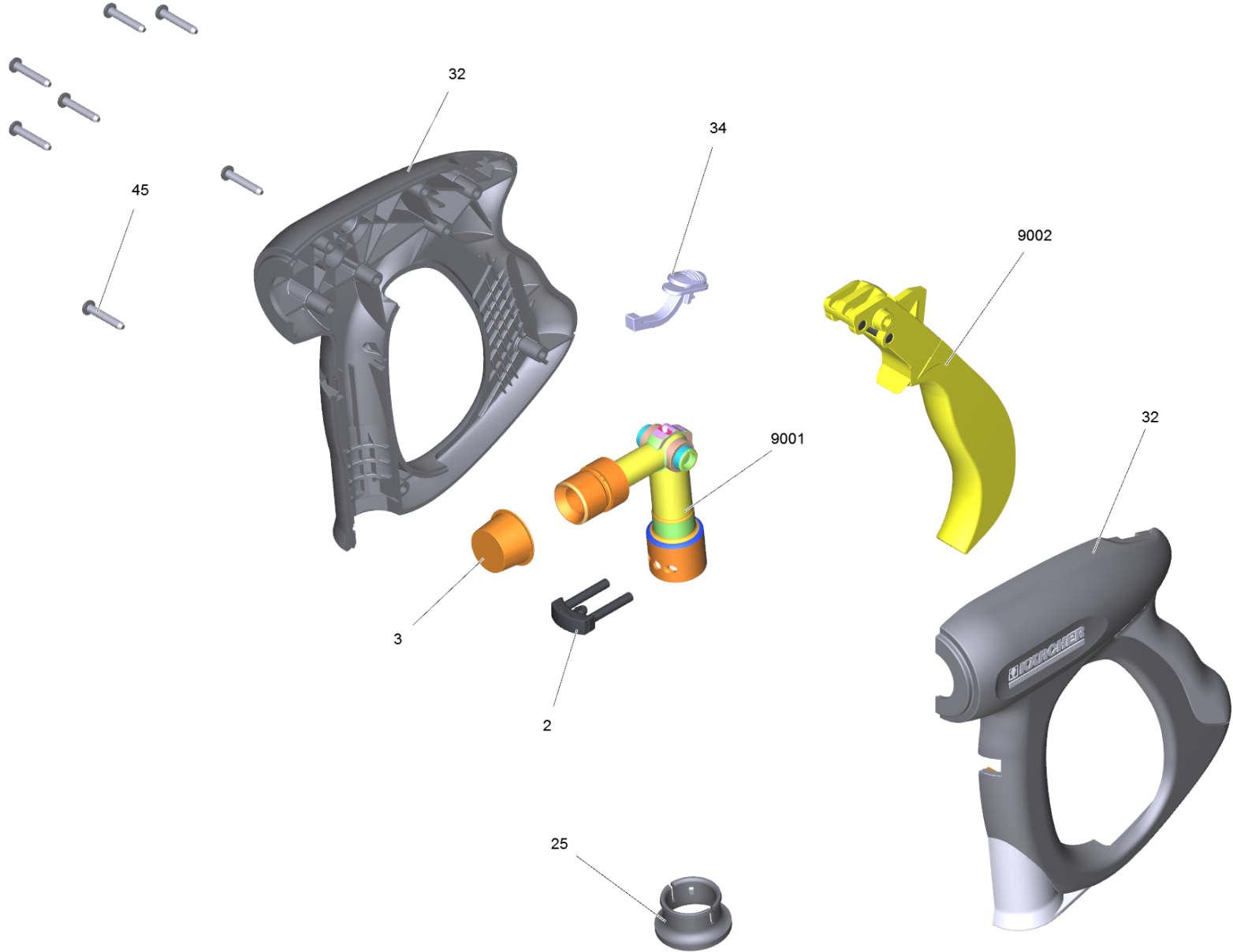
POS	Description	Quantity	Unit	Remark
41	Hand trigger gun	1.000	ST	VERSION 1
42	Hand trigger gun	1.000	ST	VERSION 2
43	Hand trigger gun	1.000	ST	VERSION 3
44	Jet pipe	1.000	ST	
45	Jet pipe	1.000	ST	
46	Nozzle	1.000	ST	VERSION 1
47	Nozzle	1.000	ST	VERSION 2



## 41 Hand trigger gun

---

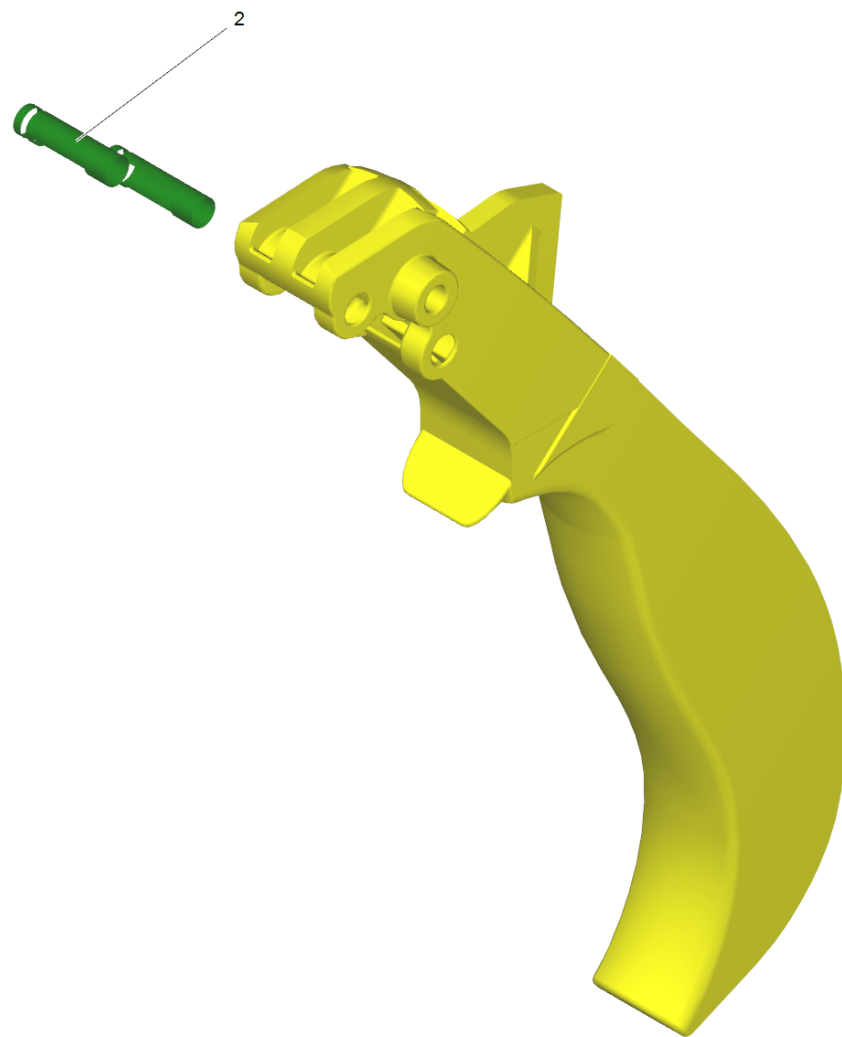
<b>POS</b>	<b>Article no.</b>	<b>Description</b>	<b>Quantity</b>	<b>Unit</b>
1	4.775-463.0	HAND TRIGGER GUN EASY PRESS	1.000	ST
2	7.303-096.0	Screw 4x22 -ST-10.9-R2R (IN6RD)	7.000	ST
3	5.481-331.0	Slider	1.000	ST
4	4.481-209.0	Lever complete	1.000	ST
5	5.321-669.0	Handhold few	1.000	ST
6	4.427-215.0	Manifold complete only for replacement	1.000	ST
7	4.037-013.0	Hook	1.000	ST
8	5.110-596.0	Sleeve	1.000	ST
9	2.880-990.0	Spare part set O-Ring 5x -Kaercher	1.000	ST
10	6.390-025.0	Hose assembly DN8 max.31,5MPa 10m	1.000	ST
11	4.363-691.0	O-Ring seal kpl. -nur fuer Ersatz-	1.000	ST



## 1 HAND TRIGGER GUN EASY PRESS (4.775-463.0)

---

<b>POS</b>	<b>Article no.</b>	<b>Description</b>	<b>Quantity</b>	<b>Unit</b>
2	4.037-013.0	Hook	1.000	ST
3	6.368-012.0	Protecting cap 22X1,5	1.000	ST
4	6.869-075.0	Metal bonding agent 1 ml	1.000	ST
25	5.110-596.0	Sleeve	1.000	ST
32	5.321-669.3	Handhold few	1.000	ST
34	5.481-331.0	Slider	1.000	ST
45	7.303-096.0	Screw 4x22 -ST-10.9-R2R (IN6RD)	7.000	ST
1041	6.288-044.0	Silicon grease 100 G	1.000	ST
9001	4.427-215.0	Manifold complete only for replacement	1.000	ST
9002	4.481-209.0	Lever complete	1.000	ST



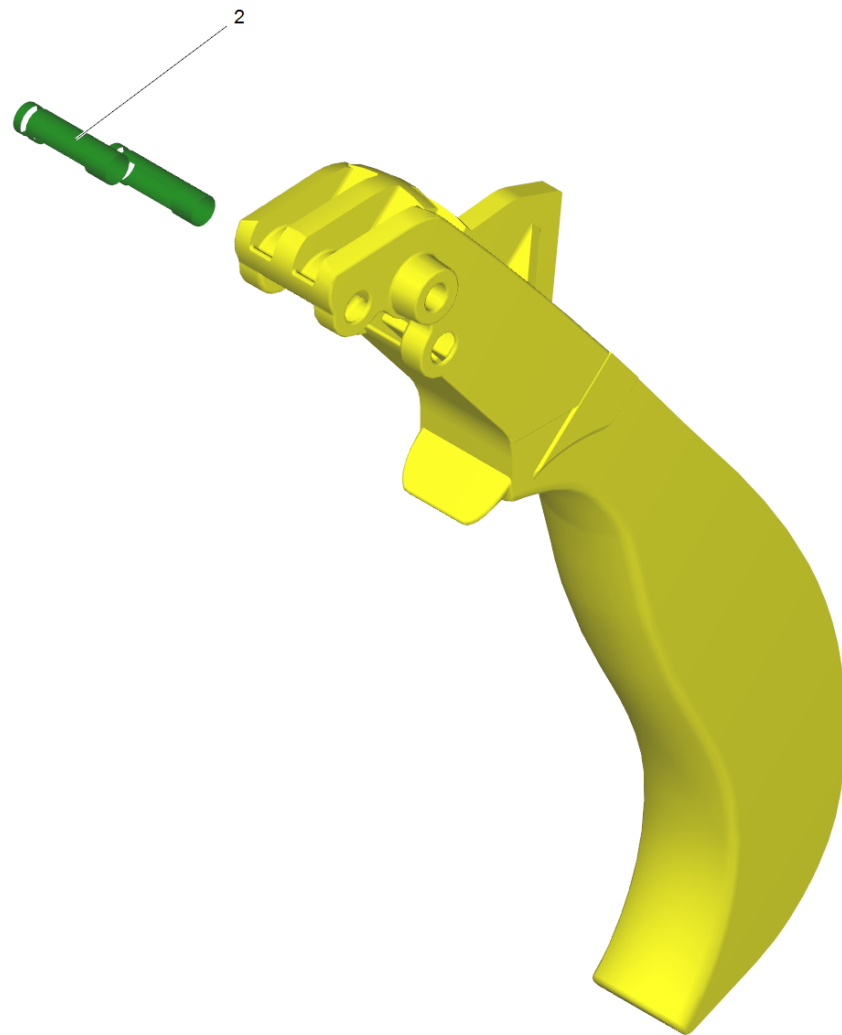
9002 Lever complete (4.481-209.0)

---

<b>POS</b>	<b>Article no.</b>	<b>Description</b>	<b>Quantity</b>	<b>Unit</b>
2	5.314-119.0	Pin	2.000	ST

---

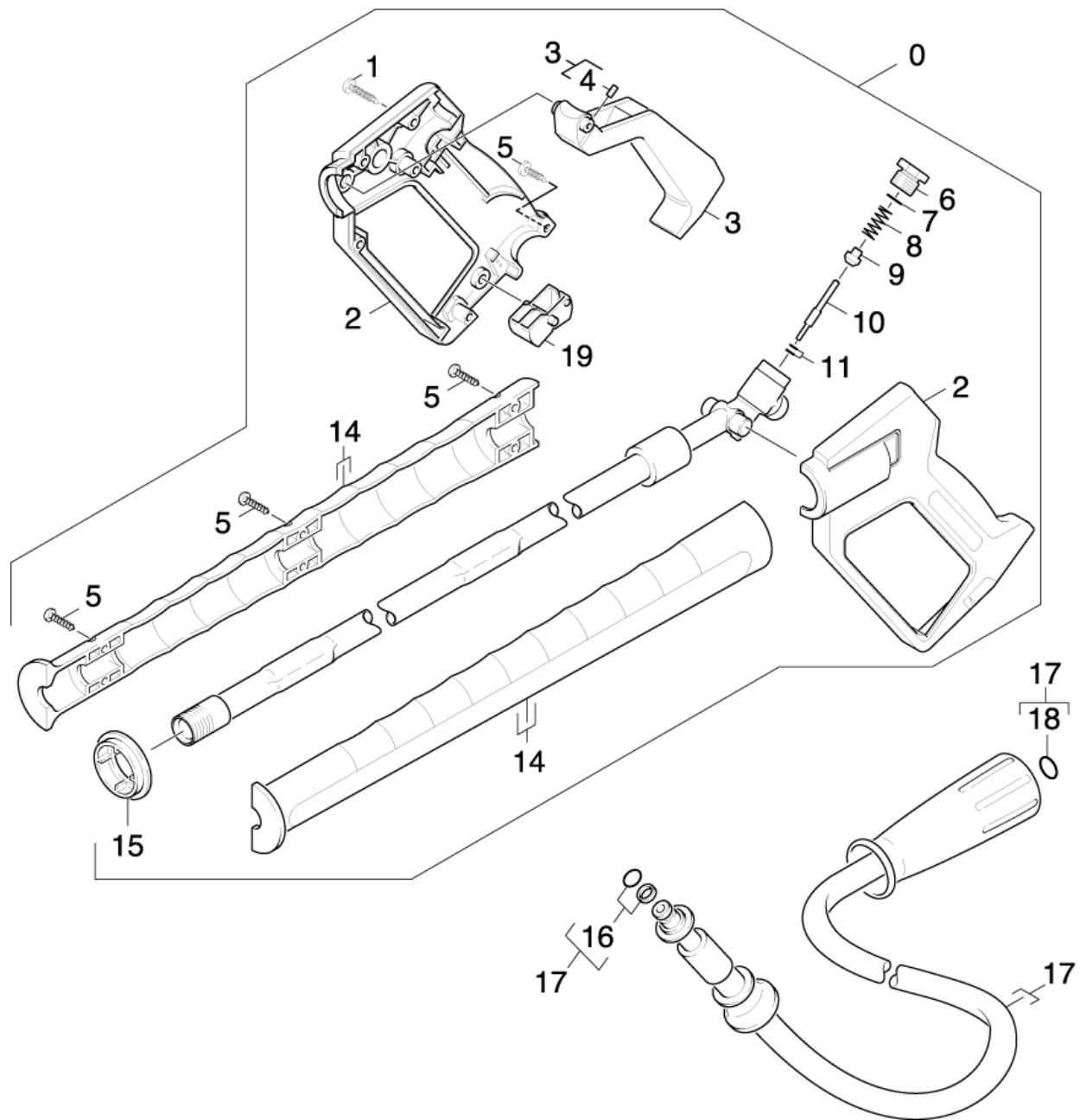




4 Lever complete (4.481-209.0)

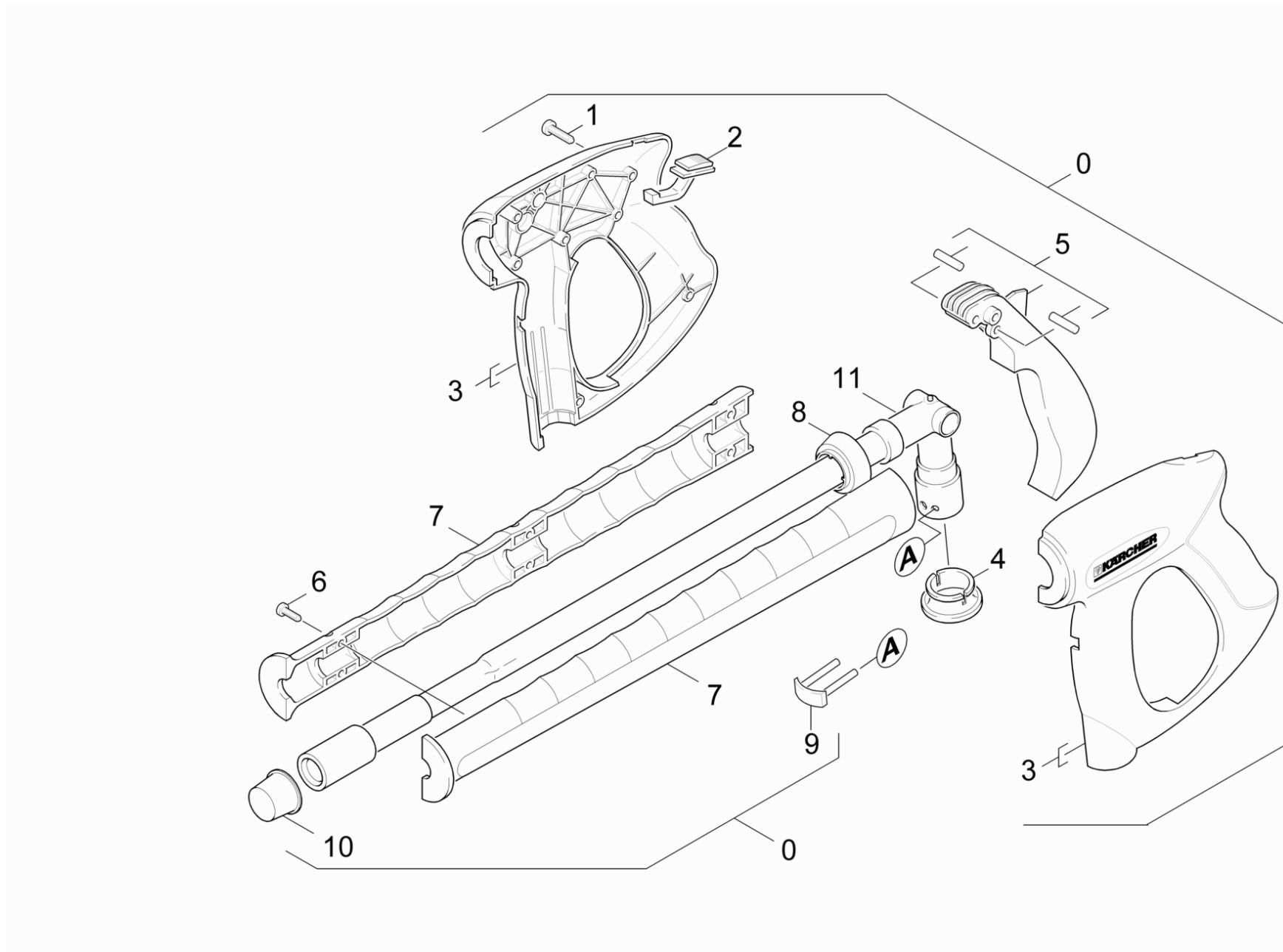
---

POS	Article no.	Description	Quantity	Unit
2	5.314-119.0	Pin	2.000	ST



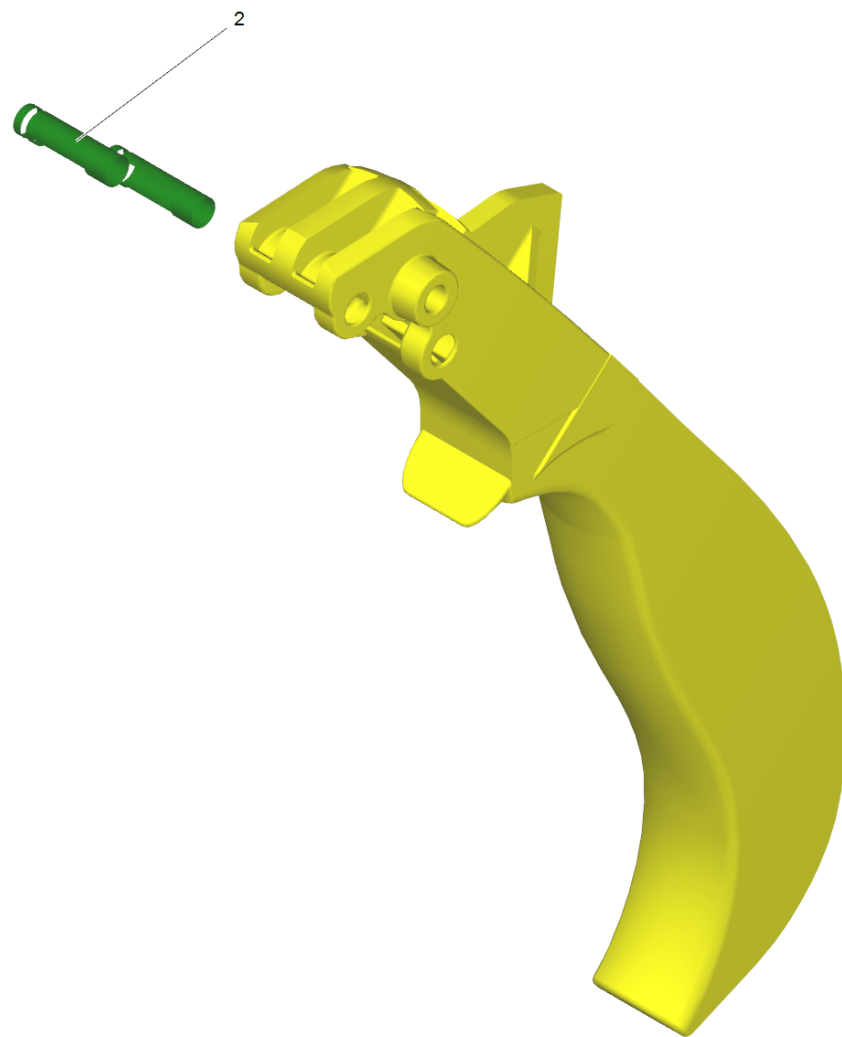
## 42 Hand trigger gun

POS	Article no.	Description	Quantity	Unit
0	4.775-492.0	Hand trigger gun	1.000	ST
1	7.303-096.0	Screw 4x22 -ST-10.9-R2R (IN6RD)	6.000	ST
2	5.321-206.0	Handhold few	1.000	ST
3	4.481-050.0	Lever	1.000	ST
4	7.307-417.0	Threaded pin M8x16 -45H-A2E ISO 4026	1.000	ST
5	7.303-129.0	Screw 4x16 -10.9-R2R (K-In6Rd)	7.000	ST
6	5.411-067.0	Screw plug	1.000	ST
7	6.362-584.0	O-Ring seal 12,42X 1,78	1.000	ST
8	5.332-157.0	Helical spring	1.000	ST
9	5.582-058.0	Valve disc	1.000	ST
10	5.107-259.0	Bar	1.000	ST
11	4.880-069.0	Spare part O-ring kit	1.000	ST
14	5.322-083.0	Handhold few extended Low End	1.000	ST
15	5.031-259.0	Moulded part	1.000	ST
16	6.363-115.0	O-Ring seal complete 1ST.-R.	1.000	ST
17	6.391-238.0	Hose assembly standard DN6 25MPa 10m	1.000	ST
18	2.880-990.0	Spare part set O-Ring 5x -Kaercher	1.000	ST
19	5.481-052.0	Lever	1.000	ST



Hand trigger gun (4.775-492.0)

POS	Article no.	Description	Quantity	Unit
0	4.775-529.0	Trigger gun	1.000	ST
1	7.303-096.0	Screw 4x22 -ST-10.9-R2R (IN6RD)	7.000	ST
2	5.481-331.0	Slider	1.000	ST
3	5.322-082.0	Handhold few hand trigger gun Low End	1.000	ST
4	5.110-596.0	Sleeve	1.000	ST
5	4.481-209.0	Lever complete	1.000	ST
6	7.303-129.0	Screw 4x16 -10.9-R2R (K-In6Rd)	6.000	ST
7	5.322-083.0	Handhold few extended Low End	1.000	ST
8	5.032-801.0	Moulded part	1.000	ST
9	4.037-013.0	Hook	1.000	ST
10	6.368-012.0	Protecting cap 22X1,5	1.000	ST
11	4.427-363.0	Manifold complete only for replacement L	1.000	ST



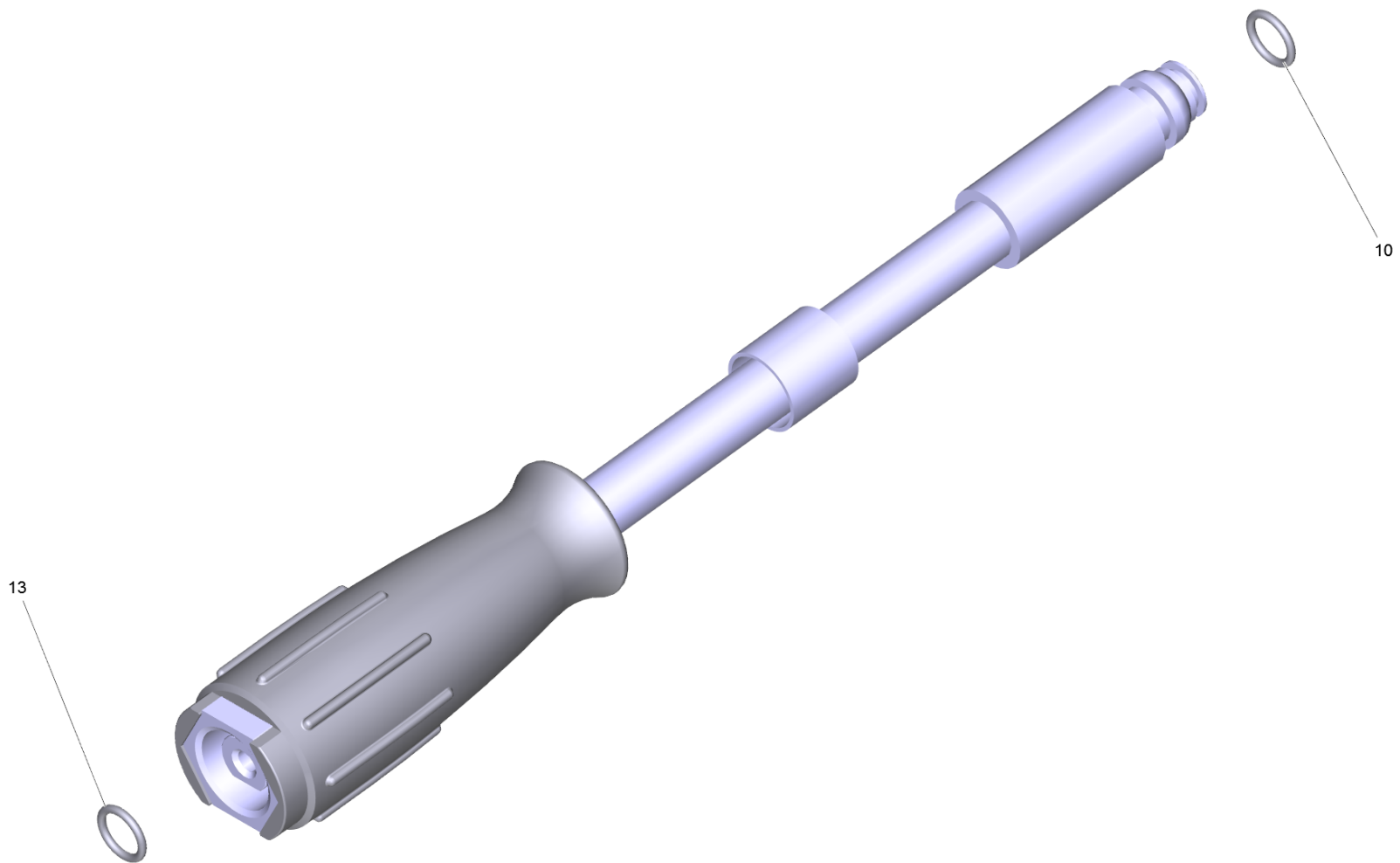
5 Lever complete (4.481-209.0)

---

<b>POS</b>	<b>Article no.</b>	<b>Description</b>	<b>Quantity</b>	<b>Unit</b>
2	5.314-119.0	Pin	2.000	ST

---

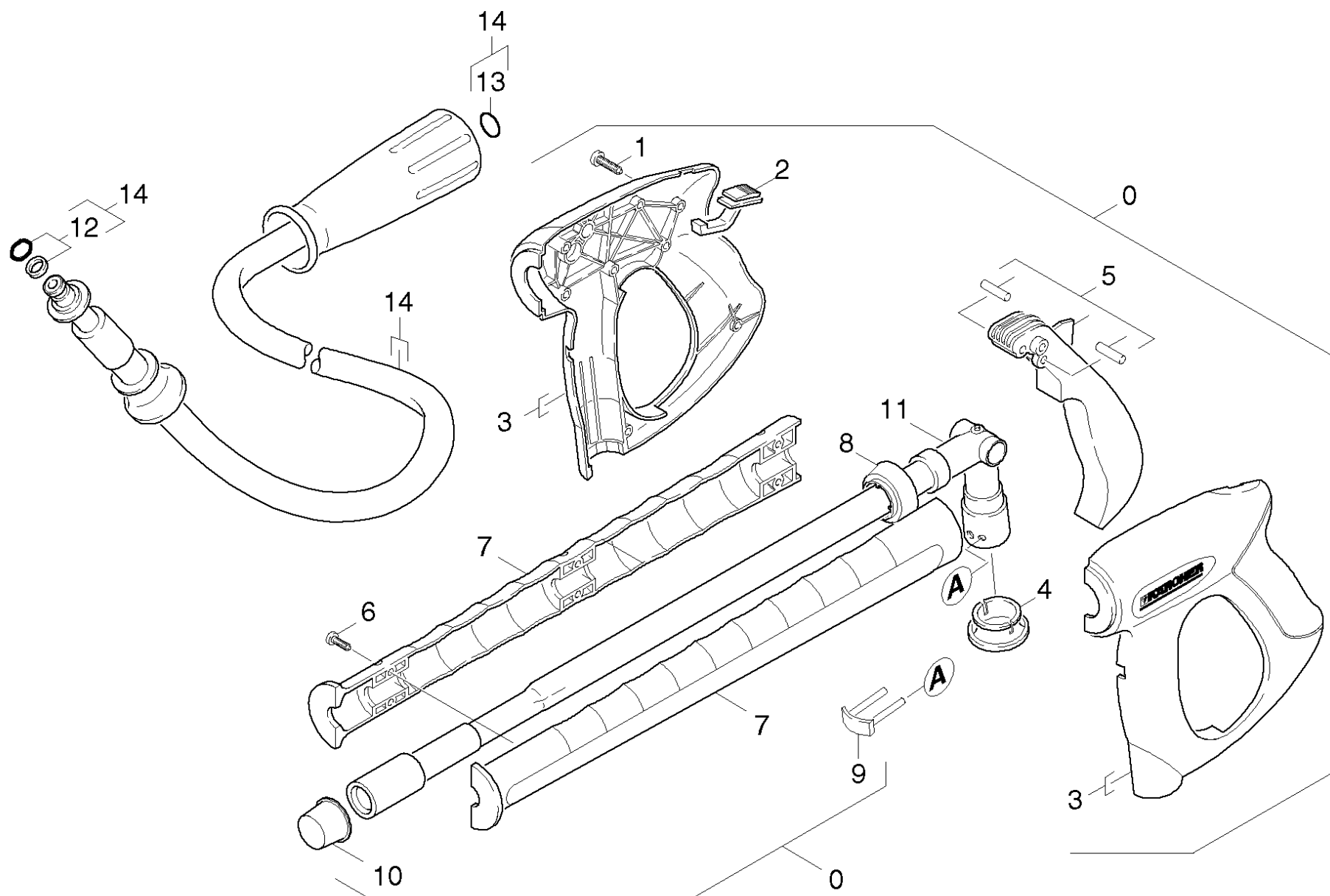




17 Hose assembly standard DN6 25MPa 10m (6.391-238.0)

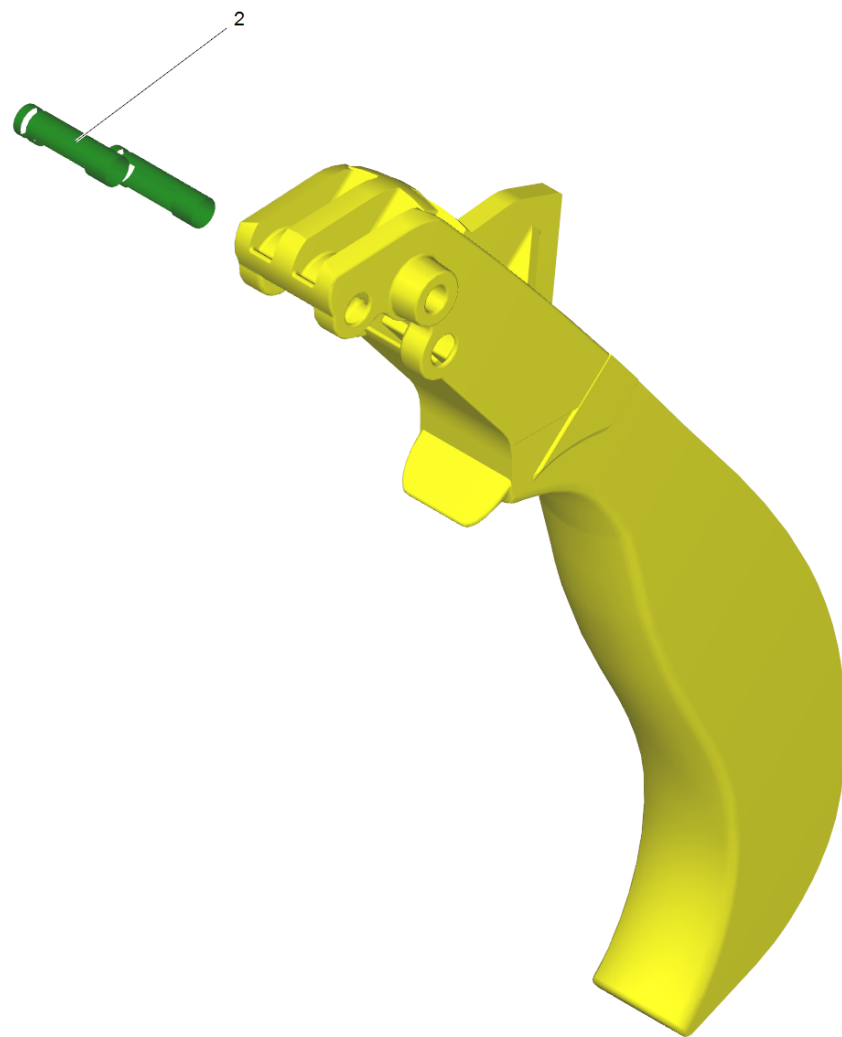
---

<b>POS</b>	<b>Article no.</b>	<b>Description</b>	<b>Quantity</b>	<b>Unit</b>
10	4.363-691.0	O-Ring seal kpl. -nur fuer Ersatz-	1.000	ST
13	2.880-990.0	Spare part set O-Ring 5x -Kaercher	1.000	ST



## 43 Hand trigger gun

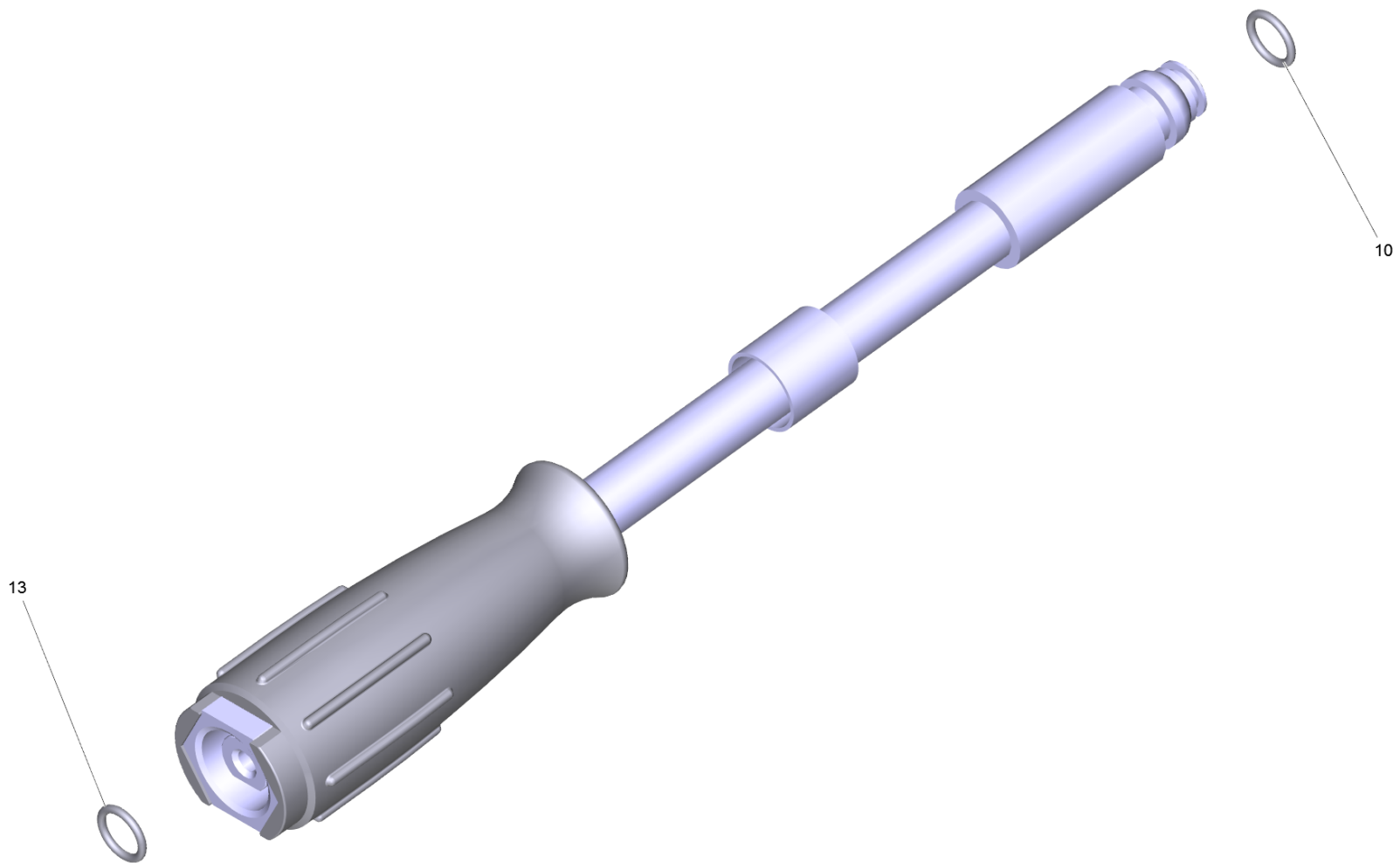
POS	Article no.	Description	Quantity	Unit	Remark
0	4.775-529.0	Trigger gun	1.000	ST	
1	7.303-096.0	Screw 4x22 -ST-10.9-R2R (IN6RD)	7.000	ST	
2	5.481-331.0	Slider	1.000	ST	
3	5.322-082.0	Handhold few hand trigger gun Low End	1.000	ST	
4	5.110-596.0	Sleeve	1.000	ST	
5	4.481-209.0	Lever complete	1.000	ST	
6	7.303-129.0	Screw 4x16 -10.9-R2R (K-In6Rd)	6.000	ST	
7	5.322-083.0	Handhold few extended Low End	1.000	ST	
8	5.032-801.0	Moulded part	1.000	ST	
9	4.037-013.0	Hook	1.000	ST	
10	6.368-012.0	Protecting cap 22X1,5	1.000	ST	
11	4.427-363.0	Manifold complete only for replacement L	1.000	ST	
12	4.363-691.0	O-Ring seal kpl. -nur fuer Ersatz-	1.000	ST	
13	2.880-990.0	Spare part set O-Ring 5x -Kaercher	1.000	ST	
14	6.391-394.0	Hose assembly standard DN6 25MPa 15m	1.000	ST	15 m
14	6.391-238.0	Hose assembly standard DN6 25MPa 10m	1.000	ST	10 m



5 Lever complete (4.481-209.0)

---

POS	Article no.	Description	Quantity	Unit
2	5.314-119.0	Pin	2.000	ST

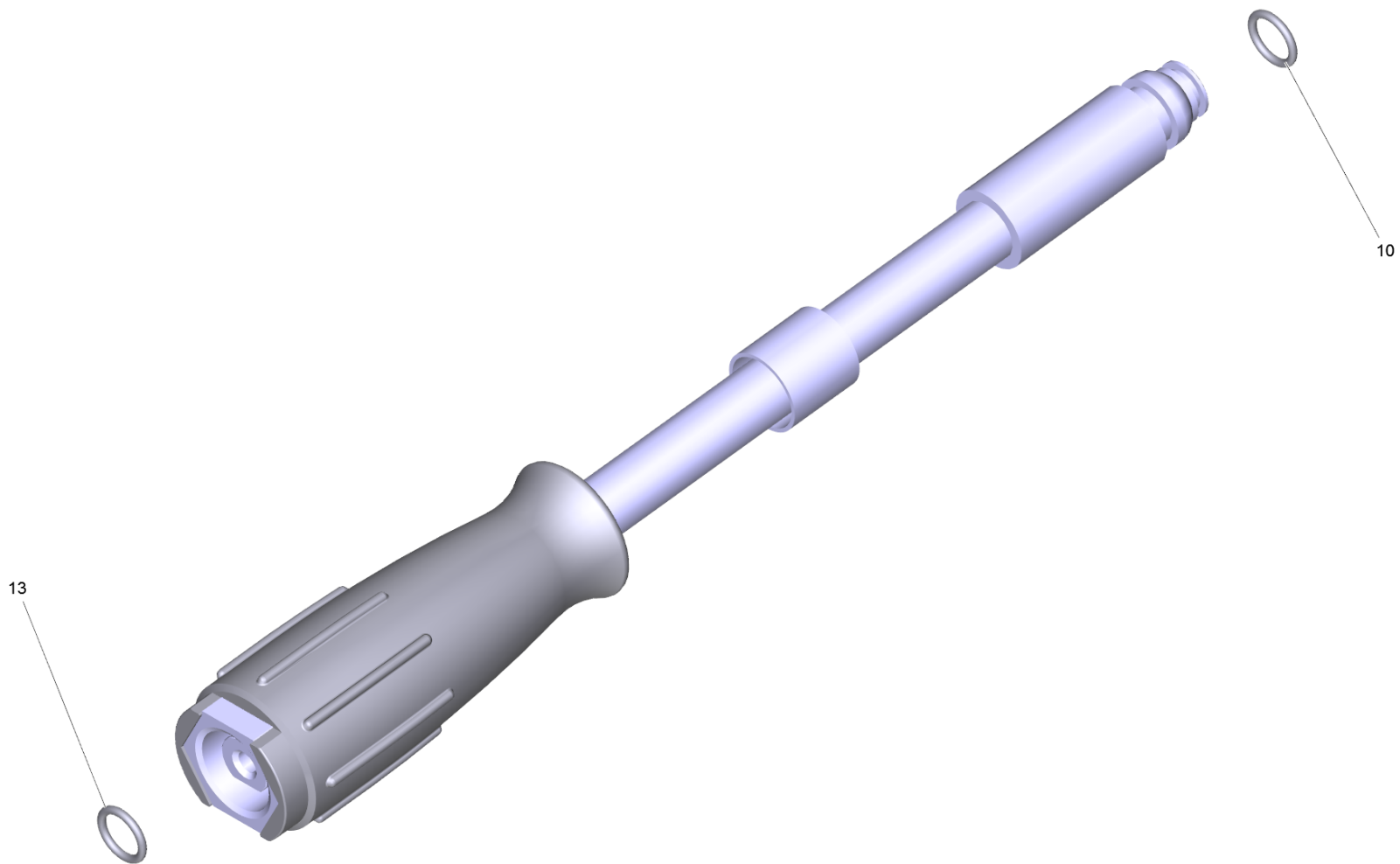


14 Hose assembly standard DN6 25MPa 10m (6.391-238.0)

---

<b>POS</b>	<b>Article no.</b>	<b>Description</b>	<b>Quantity</b>	<b>Unit</b>
10	4.363-691.0	O-Ring seal kpl. -nur fuer Ersatz-	1.000	ST
13	2.880-990.0	Spare part set O-Ring 5x -Kaercher	1.000	ST

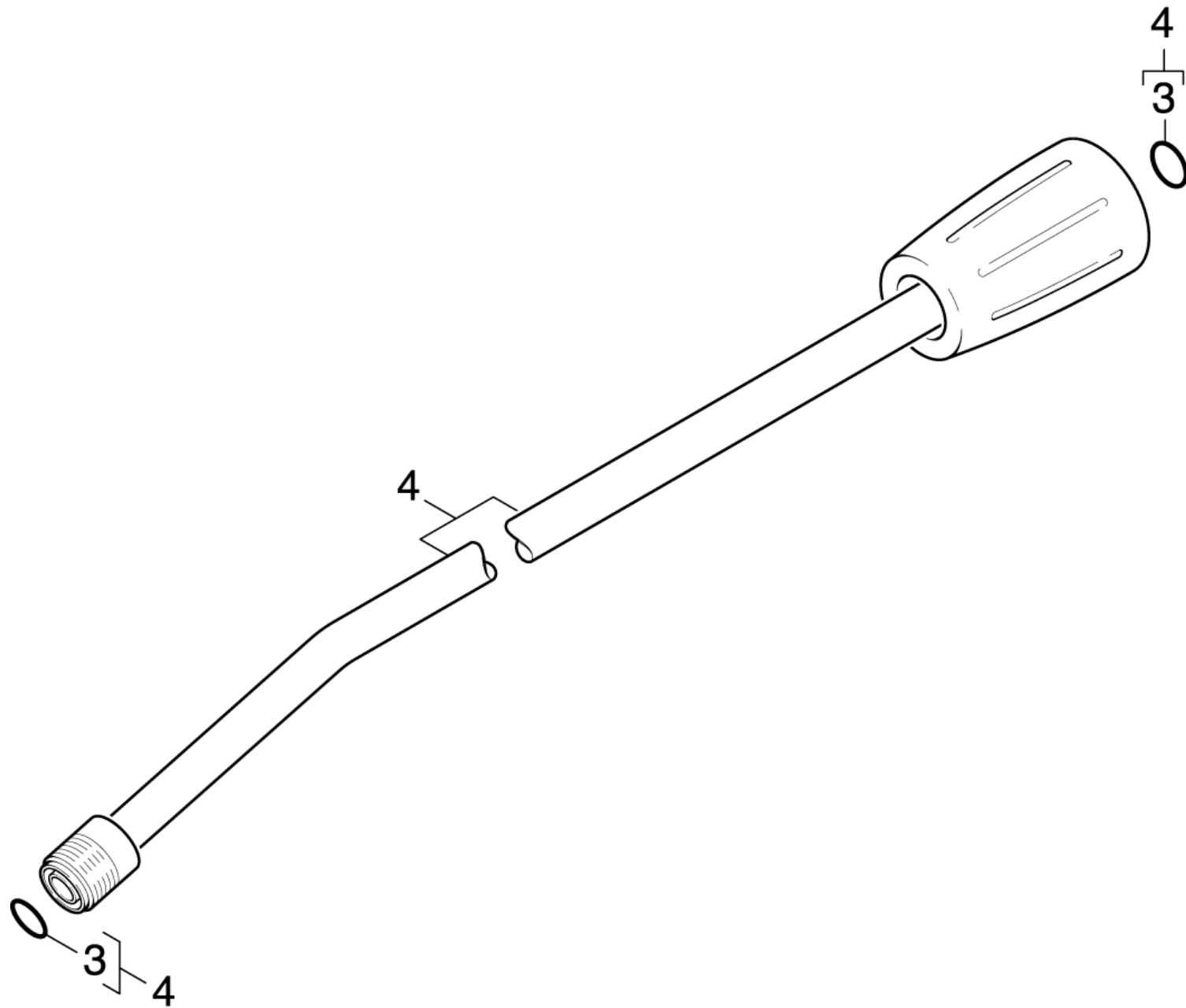




14 Hose assembly standard DN6 25MPa 15m (6.391-394.0)

---

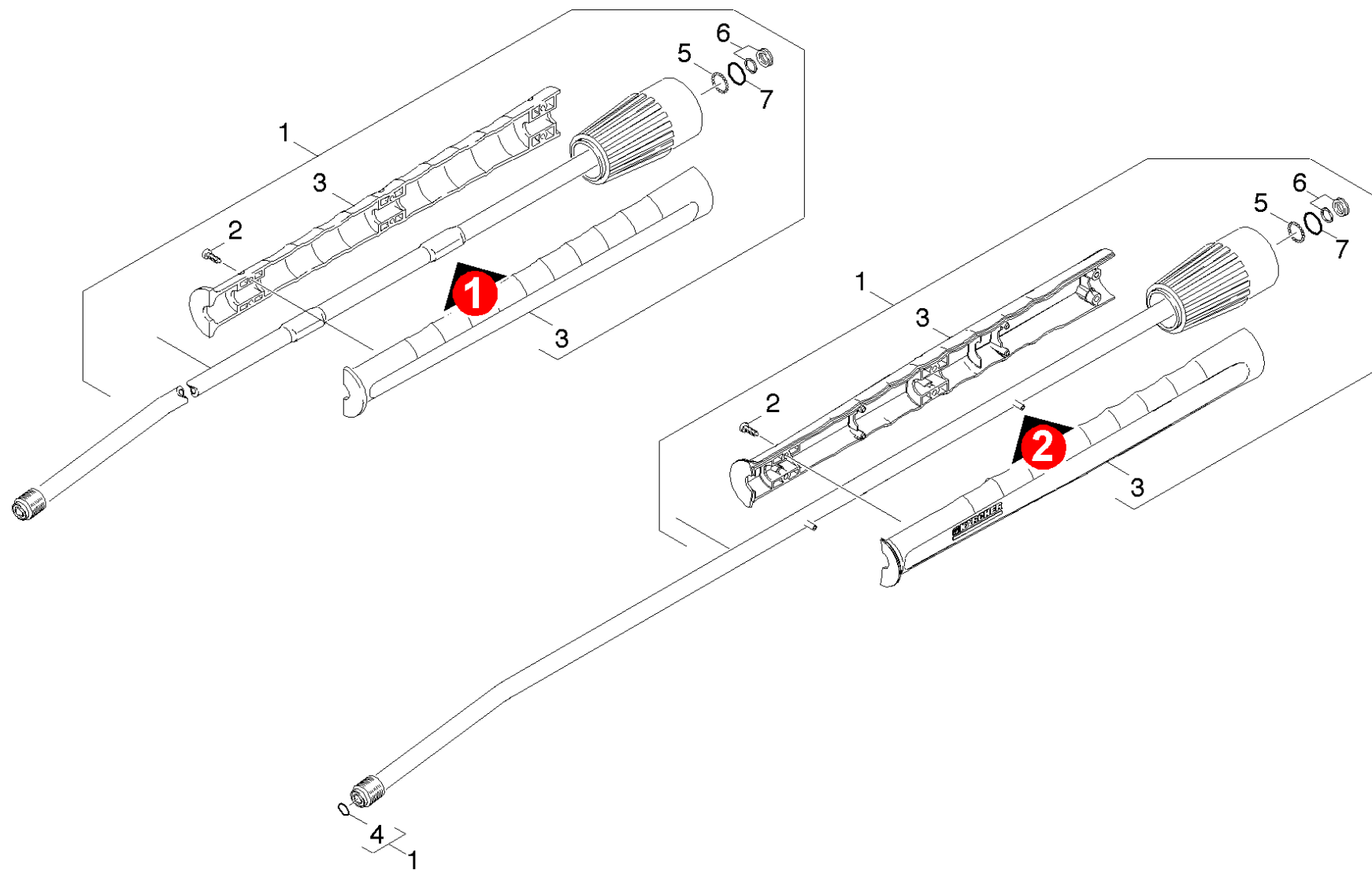
<b>POS</b>	<b>Article no.</b>	<b>Description</b>	<b>Quantity</b>	<b>Unit</b>
10	4.363-691.0	O-Ring seal kpl. -nur fuer Ersatz-	1.000	ST
13	2.880-990.0	Spare part set O-Ring 5x -Kaercher	1.000	ST



## 44 Jet pipe

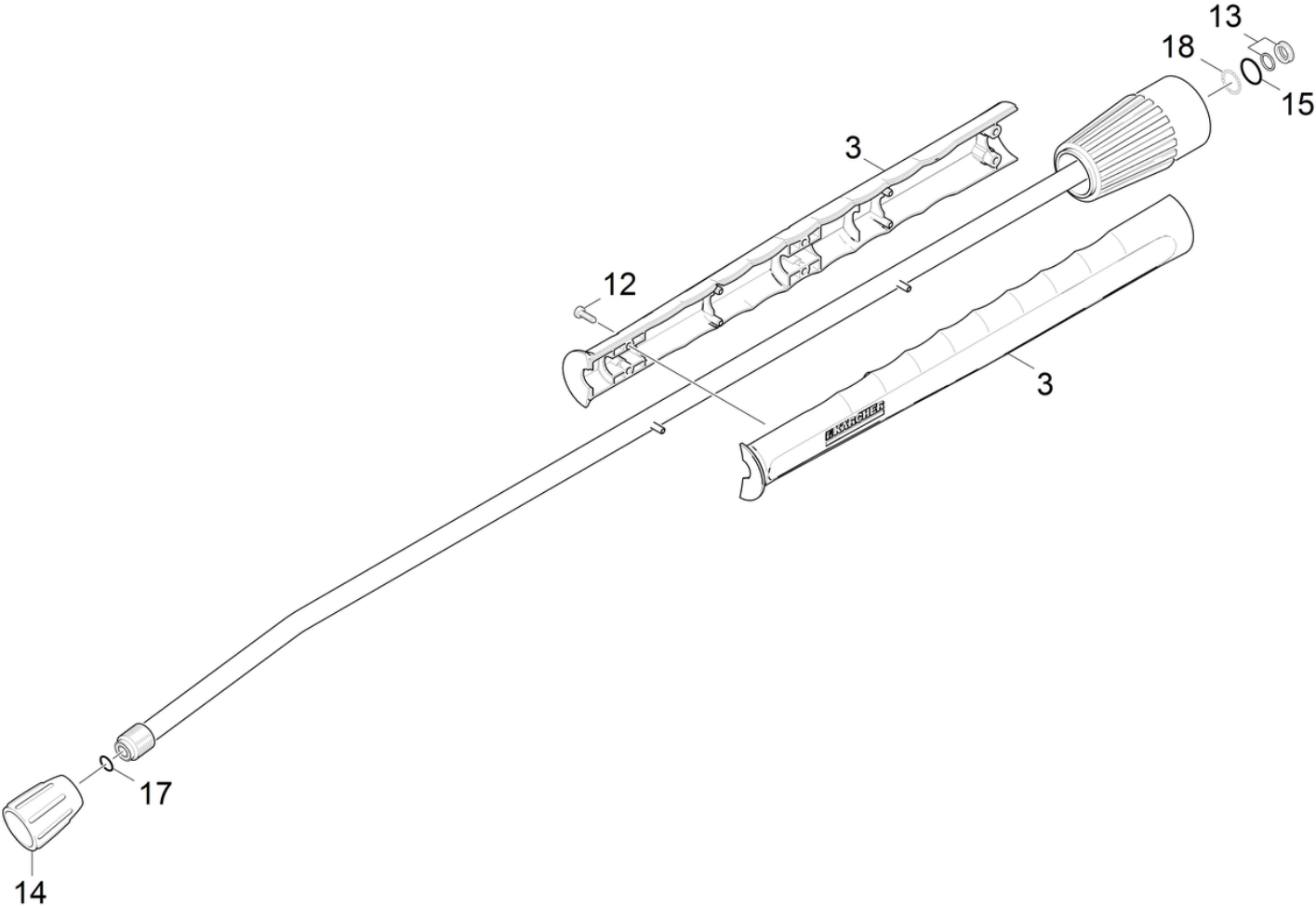
---

<b>POS</b>	<b>Article no.</b>	<b>Description</b>	<b>Quantity</b>	<b>Unit</b>
3	2.880-990.0	Spare part set O-Ring 5x -Kaercher	1.000	ST
4	4.760-665.0	Jet pipe packaged only for replacement	1.000	ST



## 45 Jet pipe

POS	Article no.	Description	Quantity	Unit	Remark
1	4.760-663.0	Jet pipe packaged only for replacement	1.000	ST	
2	7.303-129.0	Screw 4x16 -10.9-R2R (K-In6Rd)	6.000	ST	
3	5.321-855.0	Handhold few jet pipe with welding bolt	1.000	ST	VERSION 2
3	5.321-691.0	Handhold few jet pipe	1.000	ST	VERSION 1
4	2.880-990.0	Spare part set O-Ring 5x -Kaercher	1.000	ST	
5	7.401-915.0	Sphere 2,5 G20 -1.4034 DIN 5401	20.000	ST	
6	4.363-692.0	Grooved ring kpl. -nur fuer Ersatz-	1.000	ST	
7	6.362-524.0	O-Ring seal 17,0 X 1,5	1.000	ST	

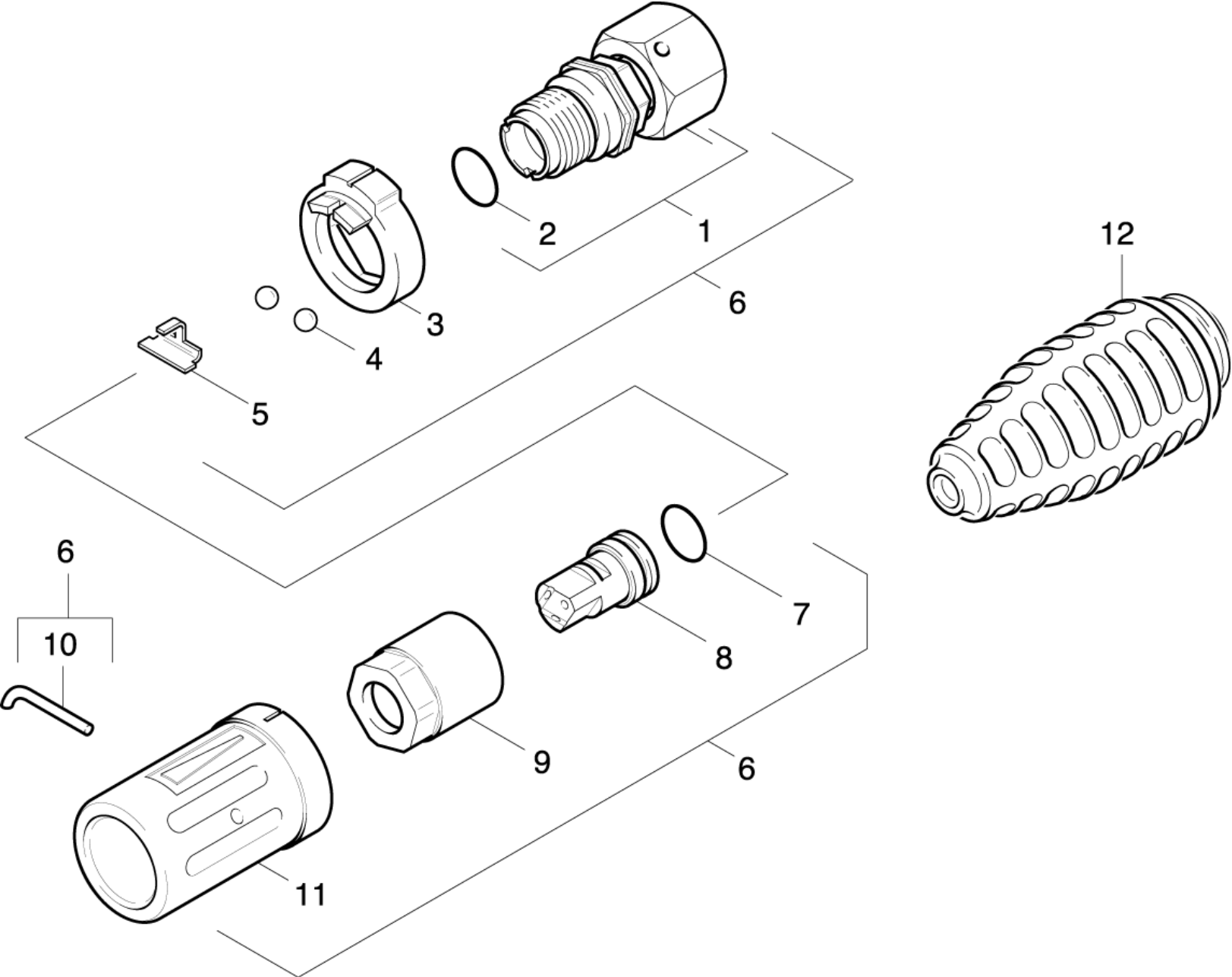


1 Jet pipe packaged only for replacement (4.760-663.0)

---

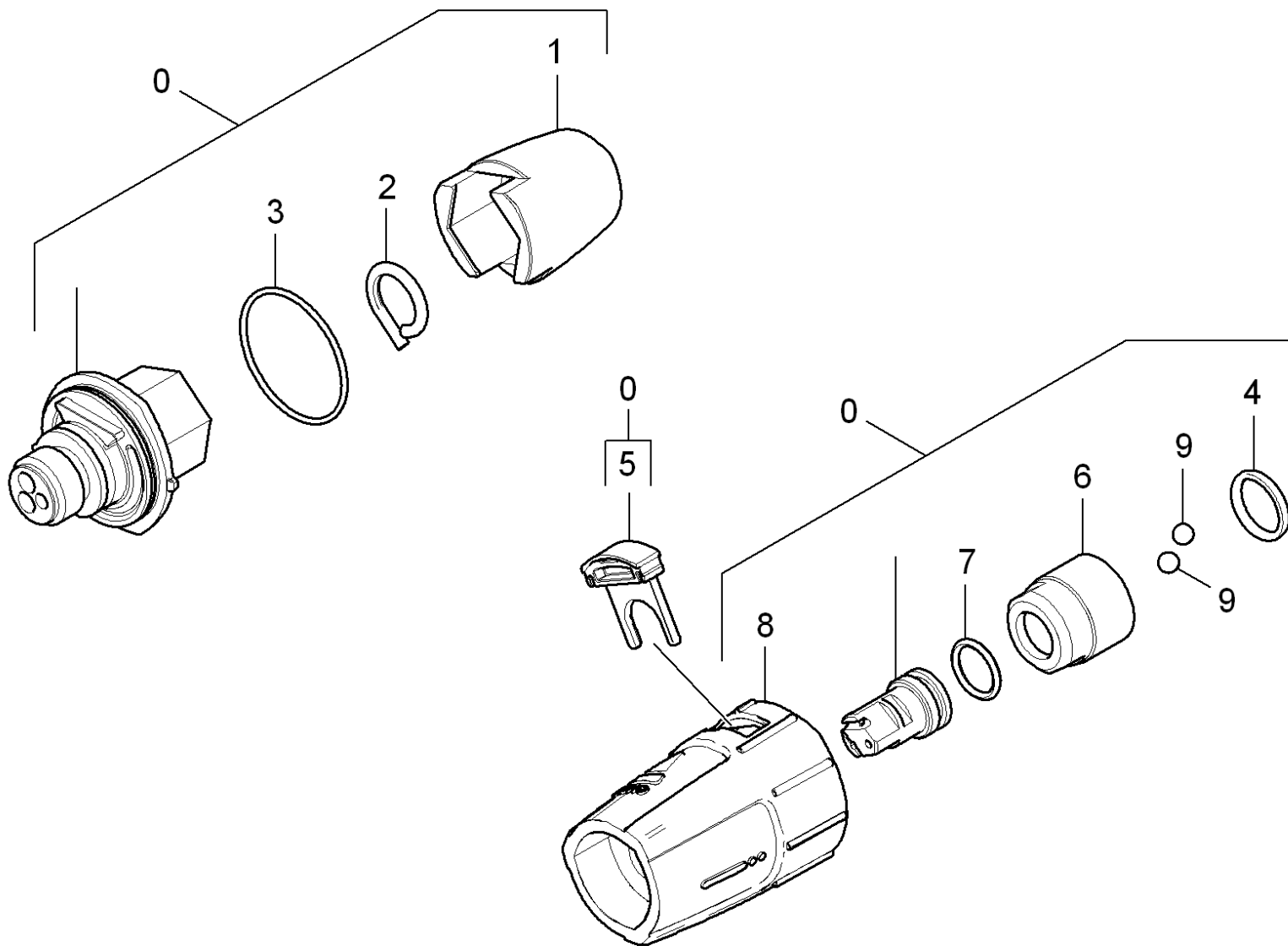
POS	Article no.	Description	Quantity	Unit
3	5.321-855.0	Handhold few jet pipe with welding bolt	1.000	ST
12	7.303-129.0	Screw 4x16 -10.9-R2R (K-In6Rd)	6.000	ST
13	4.363-692.0	Grooved ring kpl. -nur fuer Ersatz-	1.000	ST
14	5.401-210.0	Screw connector part	1.000	ST
15	6.362-524.0	O-Ring seal 17,0 X 1,5	1.000	ST
17	7.362-501.0	O-Ring seal 10x2 EPDM 70 DIN 3770	1.000	ST
18	7.401-915.0	Sphere 2,5 G20 -1.4034 DIN 5401	20.000	ST





## 46 Nozzle

POS	Article no.	Description	Quantity	Unit
1	4.402-042.0	Screw union	1.000	ST
2	6.362-460.0	O-Ring seal 14,0 X 2,5-NBR 70	1.000	ST
3	5.030-528.0	Moulded part	1.000	ST
4	7.401-902.0	Sphere 5 G20 -1.4034 DIN 5401	2.000	ST
5	5.042-405.0	Holder	1.000	ST
6	7.777-999.0	Stockpiling discontinued	1.000	ST
7	6.362-480.0	O-Ring seal 12,42x 1,78	1.000	ST
8	7.777-999.0	Stockpiling discontinued	1.000	ST
	<b>Item text1:</b> 1.514-104.0 / -106.0 / -109.0 / -110.0			
	<b>Item text2:</b> / -111.0 /			
8	7.777-999.0	Stockpiling discontinued	1.000	ST
	<b>Item text1:</b> 1.514-101.0 / -103.0 / -151.0			
8	5.415-602.0	Triple jet nozzle 038	1.000	ST
	<b>Item text1:</b> / 1.514-105.0 / -201.0 /-203.0 /-204.0 /			
	<b>Item text2:</b> -205.0 /-206.0 /-251.0 /-252.0 /			
8	5.415-598.0	Triple jet nozzle 031	1.000	ST
	<b>Item text1:</b> 1.514-112.0 /-113.0 /-503.0			
9	5.311-117.0	Hexagon nut	1.000	ST
10	5.037-059.0	Hook	1.000	ST
11	5.394-269.0	Protection part	1.000	ST
12	4.767-041.0	Dirt blaster packaged 03	1.000	ST
	<b>Item text1:</b> 1.514-124.0			
12	4.767-023.0	Dirt blaster 040	1.000	ST
	<b>Item text1:</b> / 1.514-103.0 / -104.0 / -105.0 / -151.0 / -203.0 / -204.0 / -205.0 / -206.0 / -251.0 / -252.0 / -255.0			
12	4.767-022.0	Dirt blaster 035	1.000	ST
	<b>Item text1:</b> 1.514-113.0 /-507.0			



## 47 Nozzle

POS	Article no.	Description	Quantity	Unit
0	4.767-149.0	Triple jet nozzle replacement 038	1.000	ST
	<b>Item text1:</b> 1.514-104.0 /-105.0 /-201.0 /-203.0 /-204.0 / -205.0 /-206.0 /-207.0 /-251.0 /-252.0 /-255.0			
0	4.767-145.0	Triple jet nozzle replacement 031	1.000	ST
	<b>Item text1:</b> 1.514-112.0 /-113.0 /-123.0 /-124.0 /			
	<b>Item text2:</b> -503.0 /-508.0			
0	4.767-148.0	Triple jet nozzle replacement 036	1.000	ST
	<b>Item text1:</b> 1.514-101.0 /103.0 /-106.0 /-109.0 /-110.0 / -111.0 /-127.0 /-151.0			
0	4.767-146.0	Triple jet nozzle replacement 033	1.000	ST
	<b>Item text1:</b> 1.514-507.0 /			
1	5.394-530.0	Protection part complete	1.000	ST
2	6.343-150.0	Pin 03	1.000	ST
3	6.362-409.0	O-Ring seal 32,0 X 1,5	1.000	ST
4	6.362-460.0	O-Ring seal 14,0 X 2,5-NBR 70	1.000	ST
5	5.321-884.0	Clamp	1.000	ST
6	5.311-225.0	Nut	1.000	ST
7	6.362-480.0	O-Ring seal 12,42x 1,78	1.000	ST
8	5.394-859.0	Protection part	1.000	ST
9	7.401-902.0	Sphere 5 G20 -1.4034 DIN 5401	2.000	ST

Triple jet nozzle replacement 031 (4.767-145.0)

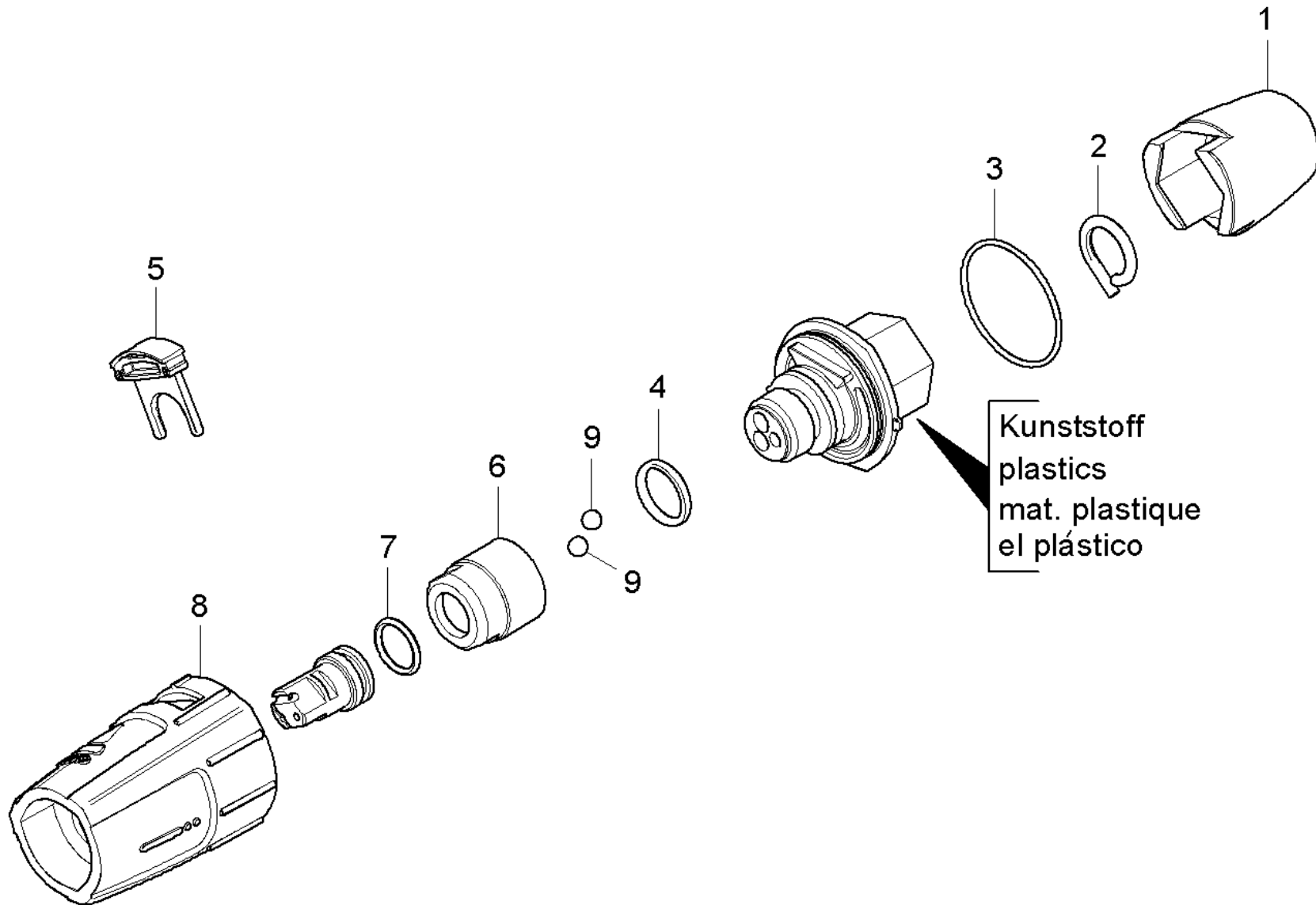
---

POS	Article no.	Description	Quantity	Unit
2	5.970-837.0	Spare parts list triple jet nozzle	1.000	ST

2 Spare parts list triple jet nozzle (5.970-837.0)

---

<b>POS</b>	<b>Description</b>	<b>Quantity</b>	<b>Unit</b>
10	Triple jet nozzle plastics	1.000	ST
20	Triple jet nozzle brass	1.000	ST

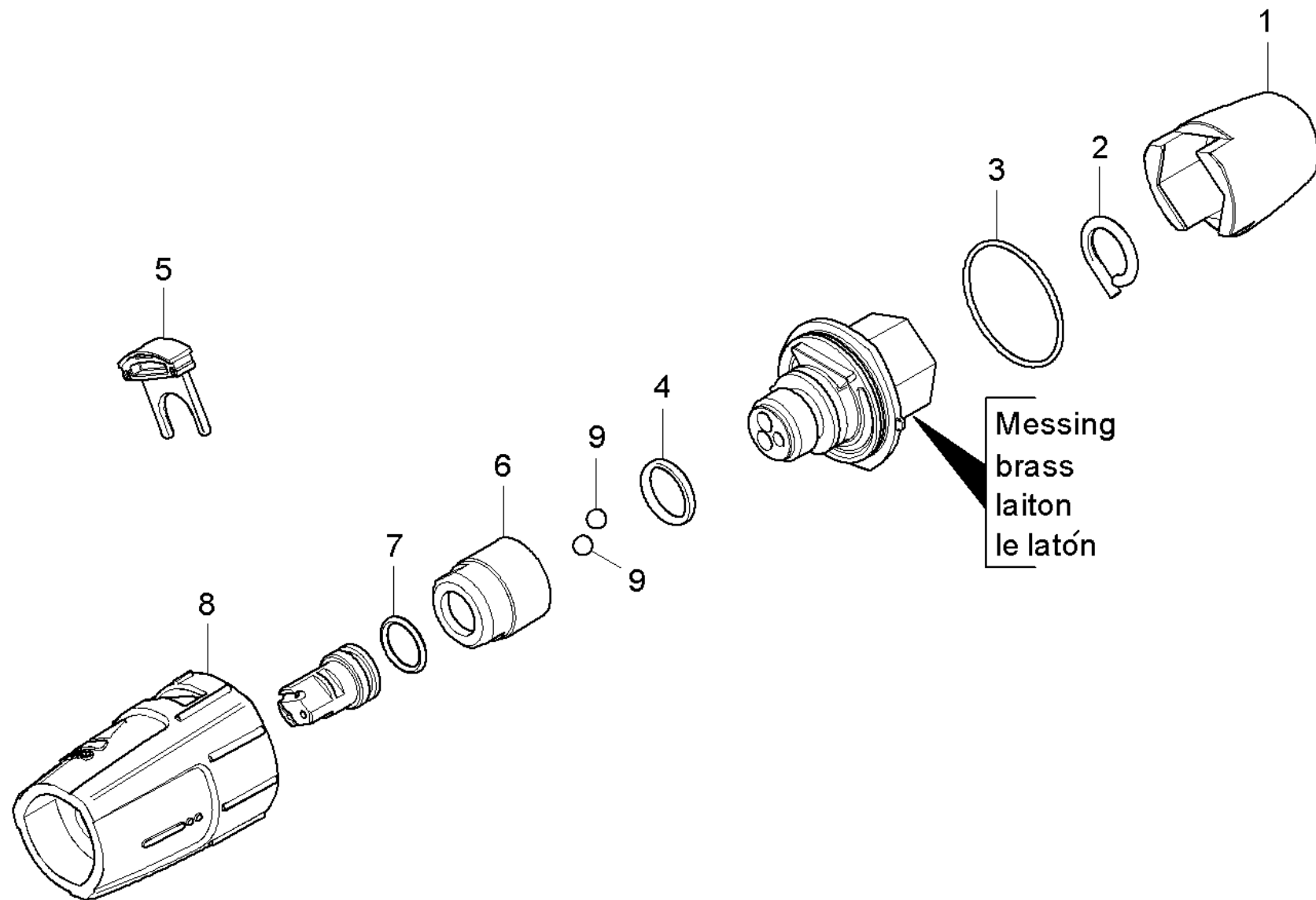


## 10 Triple jet nozzle plastics

---

<b>POS</b>	<b>Article no.</b>	<b>Description</b>	<b>Quantity</b>	<b>Unit</b>
1	5.394-530.0	Protection part complete	1.000	ST
2	6.343-150.0	Pin 03	1.000	ST
3	6.362-409.0	O-Ring seal 32,0 X 1,5	1.000	ST
4	7.362-039.0	O-Ring seal 15,5x1,5 -NBR70 DIN 3771	1.000	ST
5	5.321-884.0	Clamp	1.000	ST
6	5.311-236.0	Nut	1.000	ST
7	6.362-480.0	O-Ring seal 12,42x 1,78	1.000	ST
8	5.394-874.0	Protection part	1.000	ST
9	7.401-902.0	Sphere 5 G20 -1.4034 DIN 5401	2.000	ST





## 20 Triple jet nozzle brass

---

<b>POS</b>	<b>Article no.</b>	<b>Description</b>	<b>Quantity</b>	<b>Unit</b>
1	5.394-530.0	Protection part complete	1.000	ST
2	6.343-150.0	Pin 03	1.000	ST
3	6.362-409.0	O-Ring seal 32,0 X 1,5	1.000	ST
4	6.362-460.0	O-Ring seal 14,0 X 2,5-NBR 70	1.000	ST
5	5.321-884.0	Clamp	1.000	ST
6	5.311-225.0	Nut	1.000	ST
7	6.362-480.0	O-Ring seal 12,42x 1,78	1.000	ST
8	5.394-859.0	Protection part	1.000	ST
9	7.401-902.0	Sphere 5 G20 -1.4034 DIN 5401	2.000	ST

Triple jet nozzle replacement 033 (4.767-146.0)

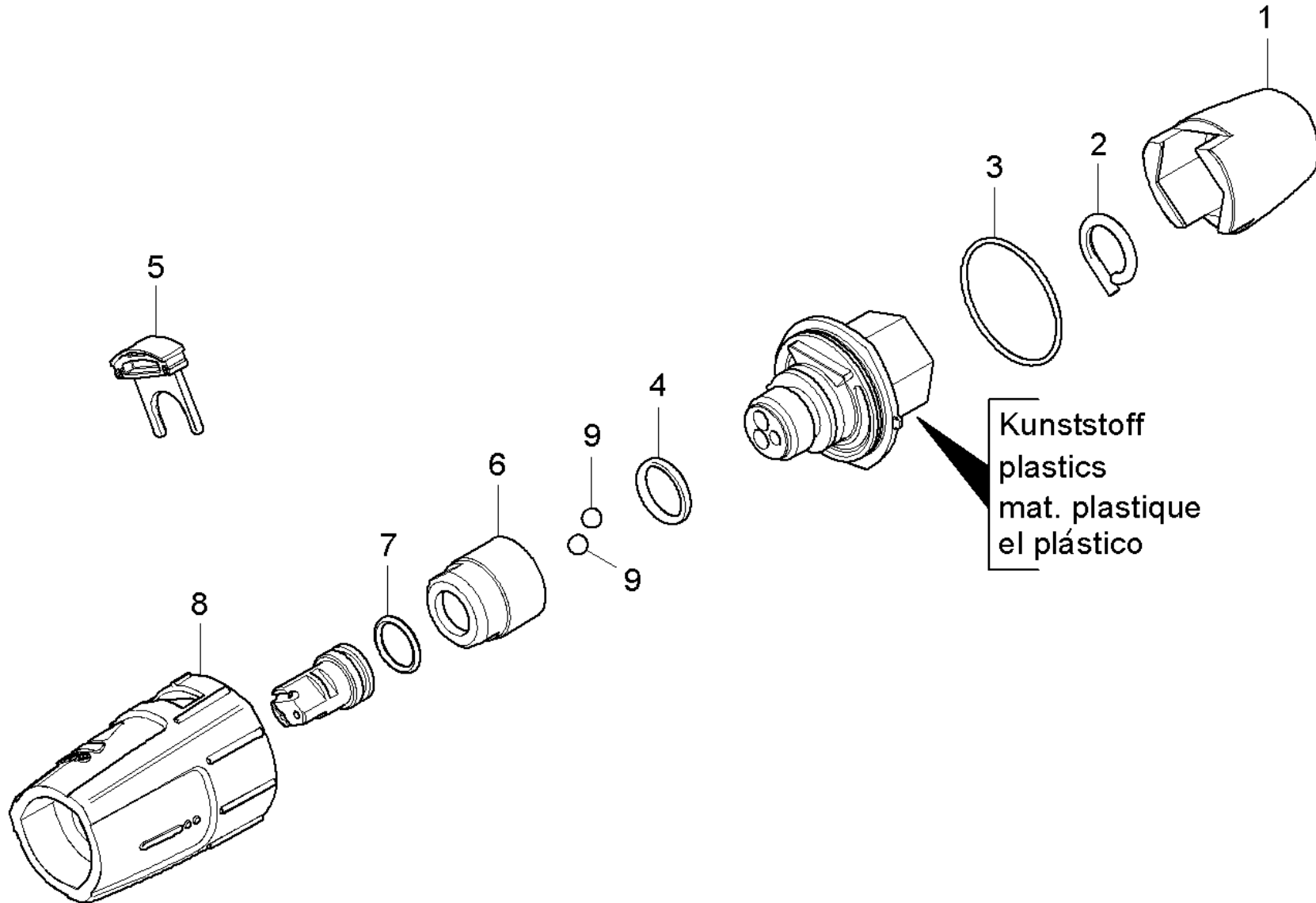
---

<b>POS</b>	<b>Article no.</b>	<b>Description</b>	<b>Quantity</b>	<b>Unit</b>
2	5.970-837.0	Spare parts list triple jet nozzle	1.000	ST

2 Spare parts list triple jet nozzle (5.970-837.0)

---

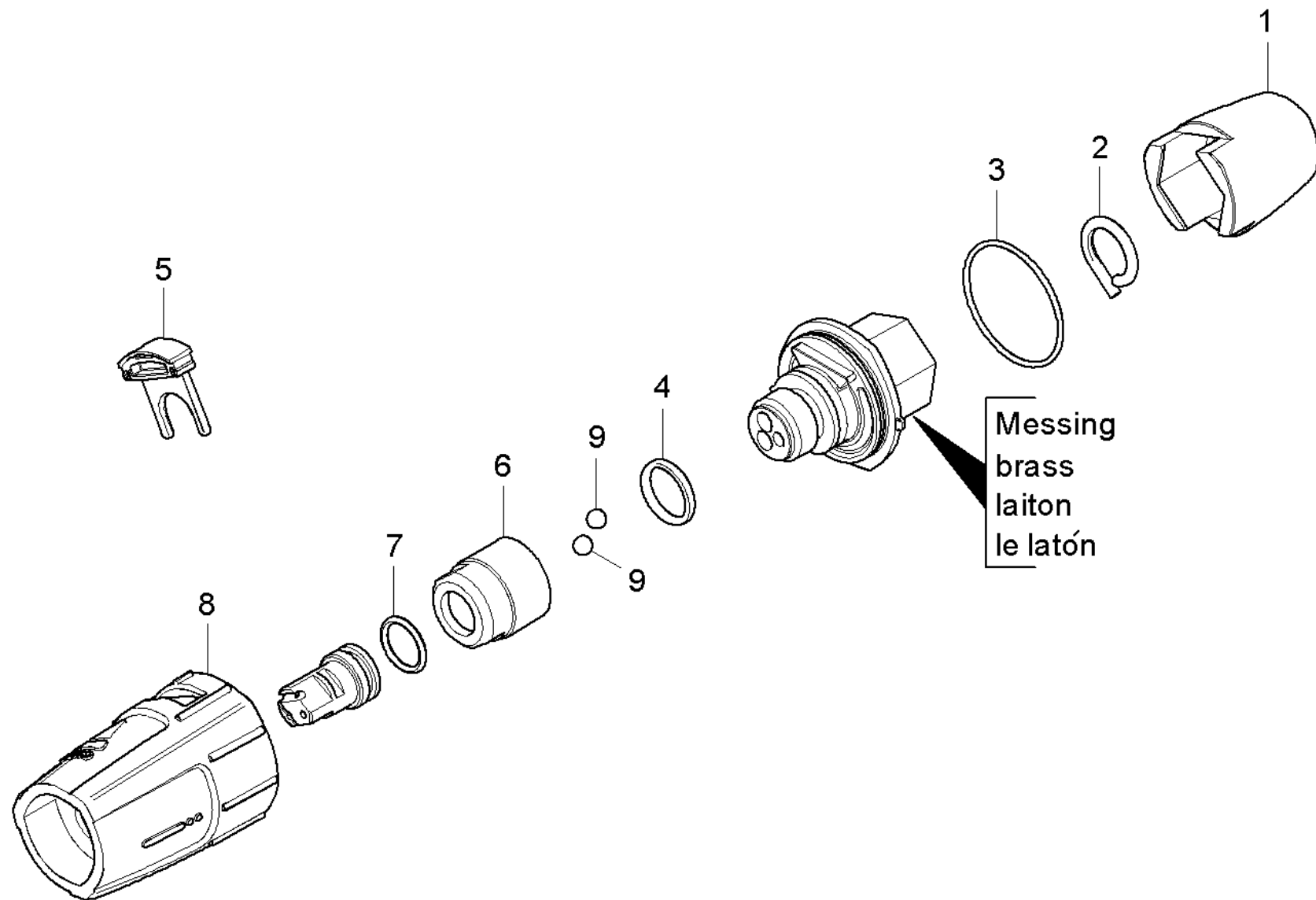
<b>POS</b>	<b>Description</b>	<b>Quantity</b>	<b>Unit</b>
10	Triple jet nozzle plastics	1.000	ST
20	Triple jet nozzle brass	1.000	ST



## 10 Triple jet nozzle plastics

---

<b>POS</b>	<b>Article no.</b>	<b>Description</b>	<b>Quantity</b>	<b>Unit</b>
1	5.394-530.0	Protection part complete	1.000	ST
2	6.343-150.0	Pin 03	1.000	ST
3	6.362-409.0	O-Ring seal 32,0 X 1,5	1.000	ST
4	7.362-039.0	O-Ring seal 15,5x1,5 -NBR70 DIN 3771	1.000	ST
5	5.321-884.0	Clamp	1.000	ST
6	5.311-236.0	Nut	1.000	ST
7	6.362-480.0	O-Ring seal 12,42x 1,78	1.000	ST
8	5.394-874.0	Protection part	1.000	ST
9	7.401-902.0	Sphere 5 G20 -1.4034 DIN 5401	2.000	ST



## 20 Triple jet nozzle brass

---

<b>POS</b>	<b>Article no.</b>	<b>Description</b>	<b>Quantity</b>	<b>Unit</b>
1	5.394-530.0	Protection part complete	1.000	ST
2	6.343-150.0	Pin 03	1.000	ST
3	6.362-409.0	O-Ring seal 32,0 X 1,5	1.000	ST
4	6.362-460.0	O-Ring seal 14,0 X 2,5-NBR 70	1.000	ST
5	5.321-884.0	Clamp	1.000	ST
6	5.311-225.0	Nut	1.000	ST
7	6.362-480.0	O-Ring seal 12,42x 1,78	1.000	ST
8	5.394-859.0	Protection part	1.000	ST
9	7.401-902.0	Sphere 5 G20 -1.4034 DIN 5401	2.000	ST



Triple jet nozzle replacement 036 (4.767-148.0)

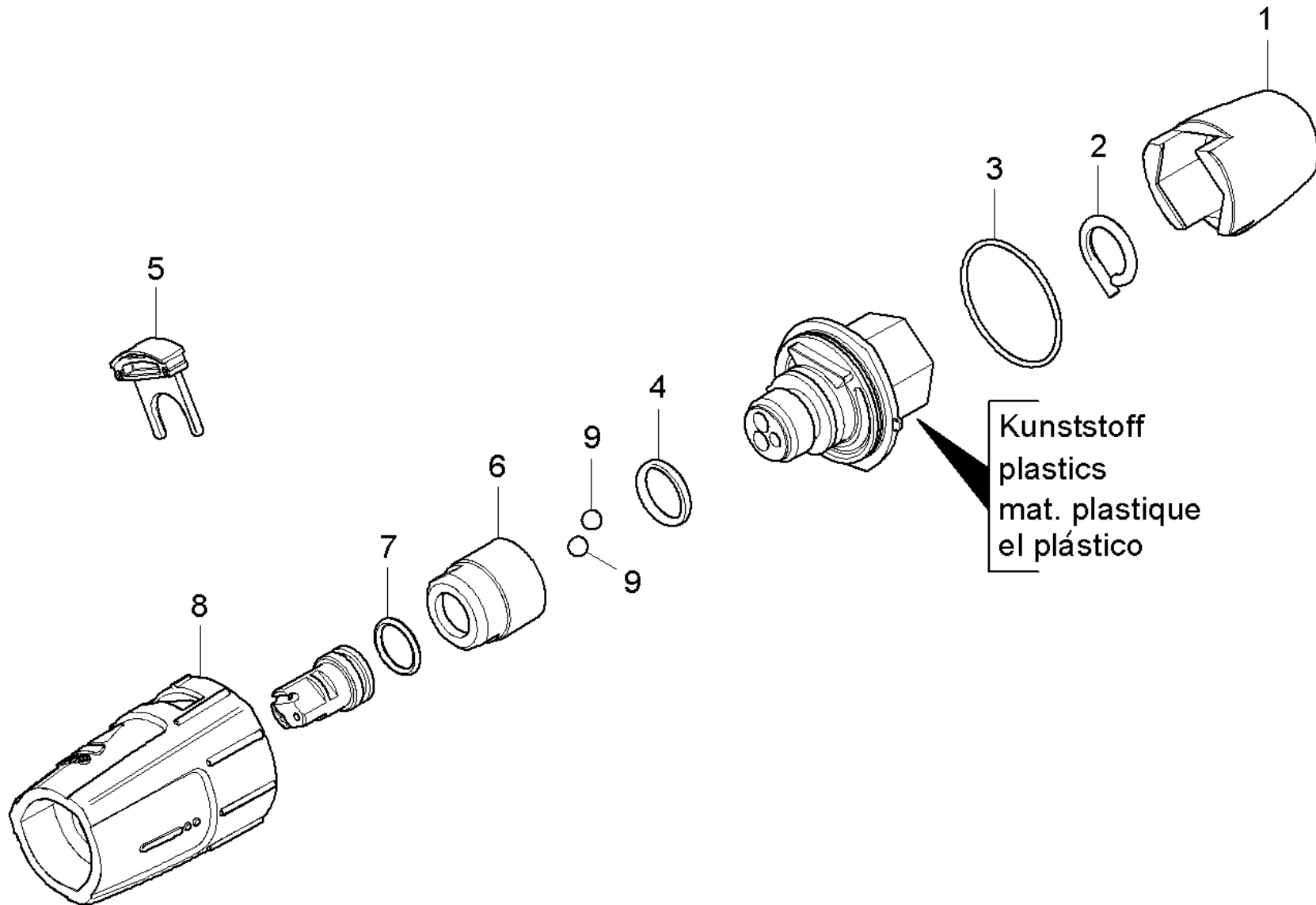
---

<b>POS</b>	<b>Article no.</b>	<b>Description</b>	<b>Quantity</b>	<b>Unit</b>
2	5.970-837.0	Spare parts list triple jet nozzle	1.000	ST

2 Spare parts list triple jet nozzle (5.970-837.0)

---

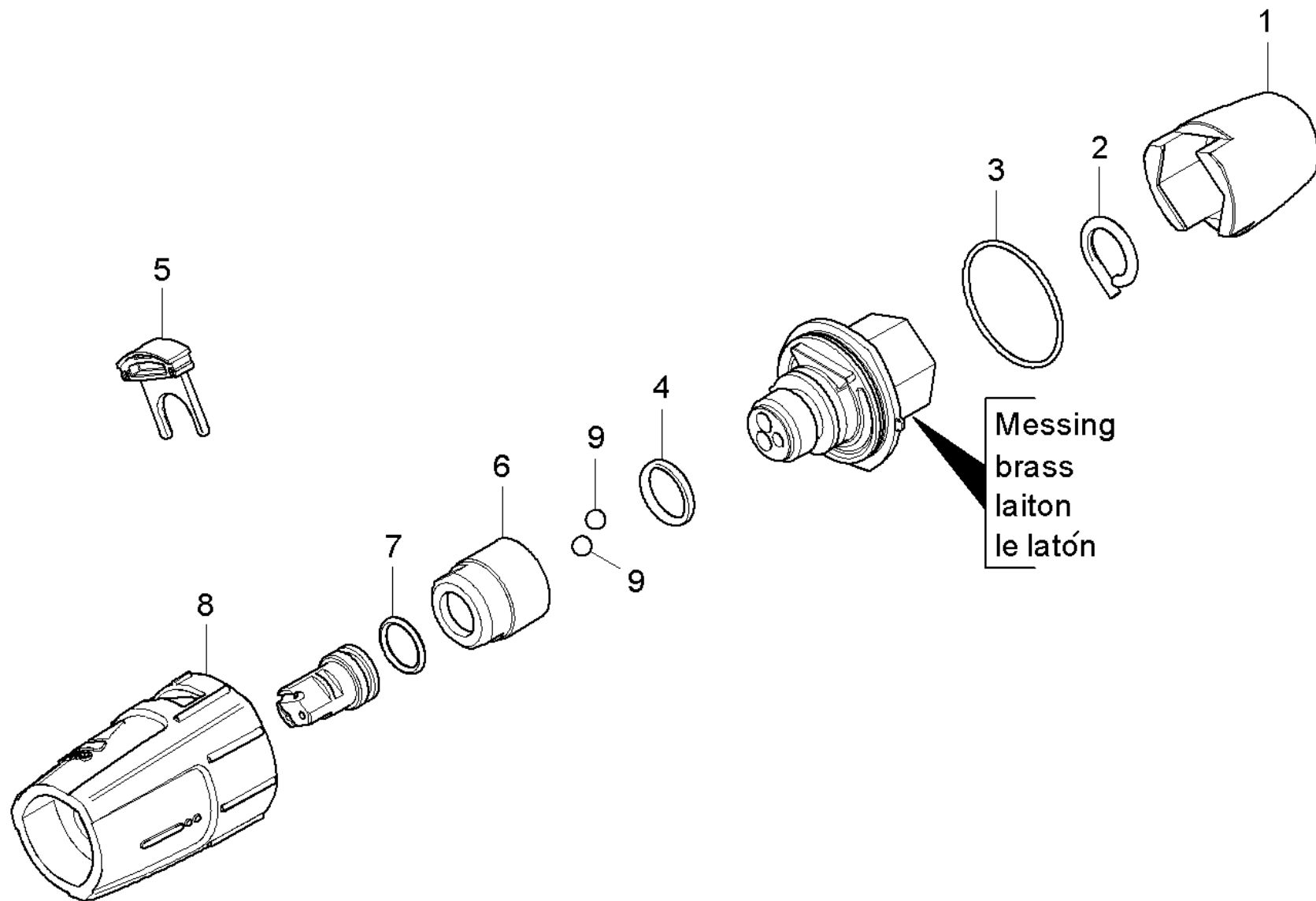
<b>POS</b>	<b>Description</b>	<b>Quantity</b>	<b>Unit</b>
10	Triple jet nozzle plastics	1.000	ST
20	Triple jet nozzle brass	1.000	ST



## 10 Triple jet nozzle plastics

---

<b>POS</b>	<b>Article no.</b>	<b>Description</b>	<b>Quantity</b>	<b>Unit</b>
1	5.394-530.0	Protection part complete	1.000	ST
2	6.343-150.0	Pin 03	1.000	ST
3	6.362-409.0	O-Ring seal 32,0 X 1,5	1.000	ST
4	7.362-039.0	O-Ring seal 15,5x1,5 -NBR70 DIN 3771	1.000	ST
5	5.321-884.0	Clamp	1.000	ST
6	5.311-236.0	Nut	1.000	ST
7	6.362-480.0	O-Ring seal 12,42x 1,78	1.000	ST
8	5.394-874.0	Protection part	1.000	ST
9	7.401-902.0	Sphere 5 G20 -1.4034 DIN 5401	2.000	ST



## 20 Triple jet nozzle brass

---

<b>POS</b>	<b>Article no.</b>	<b>Description</b>	<b>Quantity</b>	<b>Unit</b>
1	5.394-530.0	Protection part complete	1.000	ST
2	6.343-150.0	Pin 03	1.000	ST
3	6.362-409.0	O-Ring seal 32,0 X 1,5	1.000	ST
4	6.362-460.0	O-Ring seal 14,0 X 2,5-NBR 70	1.000	ST
5	5.321-884.0	Clamp	1.000	ST
6	5.311-225.0	Nut	1.000	ST
7	6.362-480.0	O-Ring seal 12,42x 1,78	1.000	ST
8	5.394-859.0	Protection part	1.000	ST
9	7.401-902.0	Sphere 5 G20 -1.4034 DIN 5401	2.000	ST

Triple jet nozzle replacement 038 (4.767-149.0)

---

<b>POS</b>	<b>Article no.</b>	<b>Description</b>	<b>Quantity</b>	<b>Unit</b>
2	5.970-837.0	Spare parts list triple jet nozzle	1.000	ST

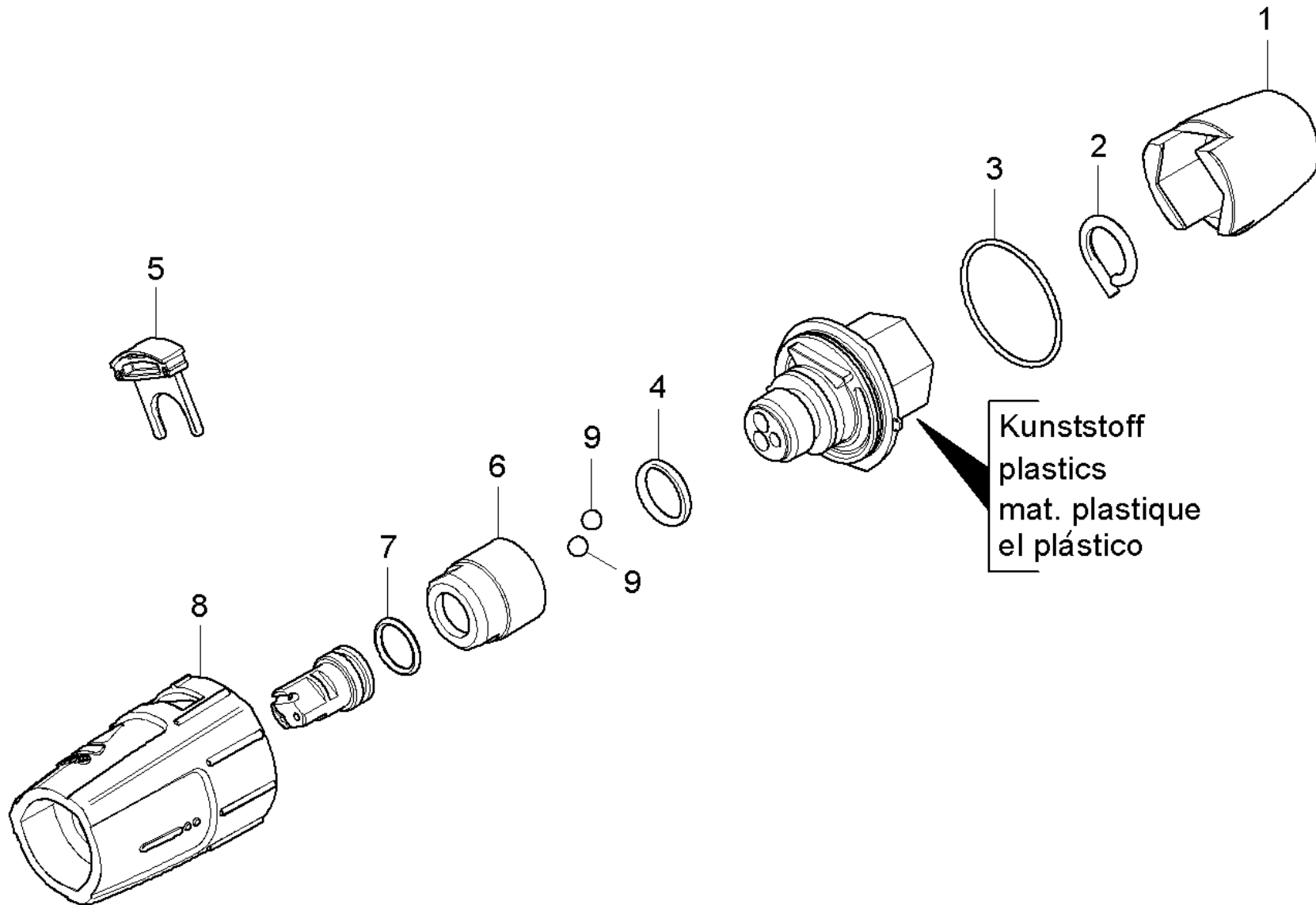
---

2 Spare parts list triple jet nozzle (5.970-837.0)

---

<b>POS</b>	<b>Description</b>	<b>Quantity</b>	<b>Unit</b>
10	Triple jet nozzle plastics	1.000	ST
20	Triple jet nozzle brass	1.000	ST

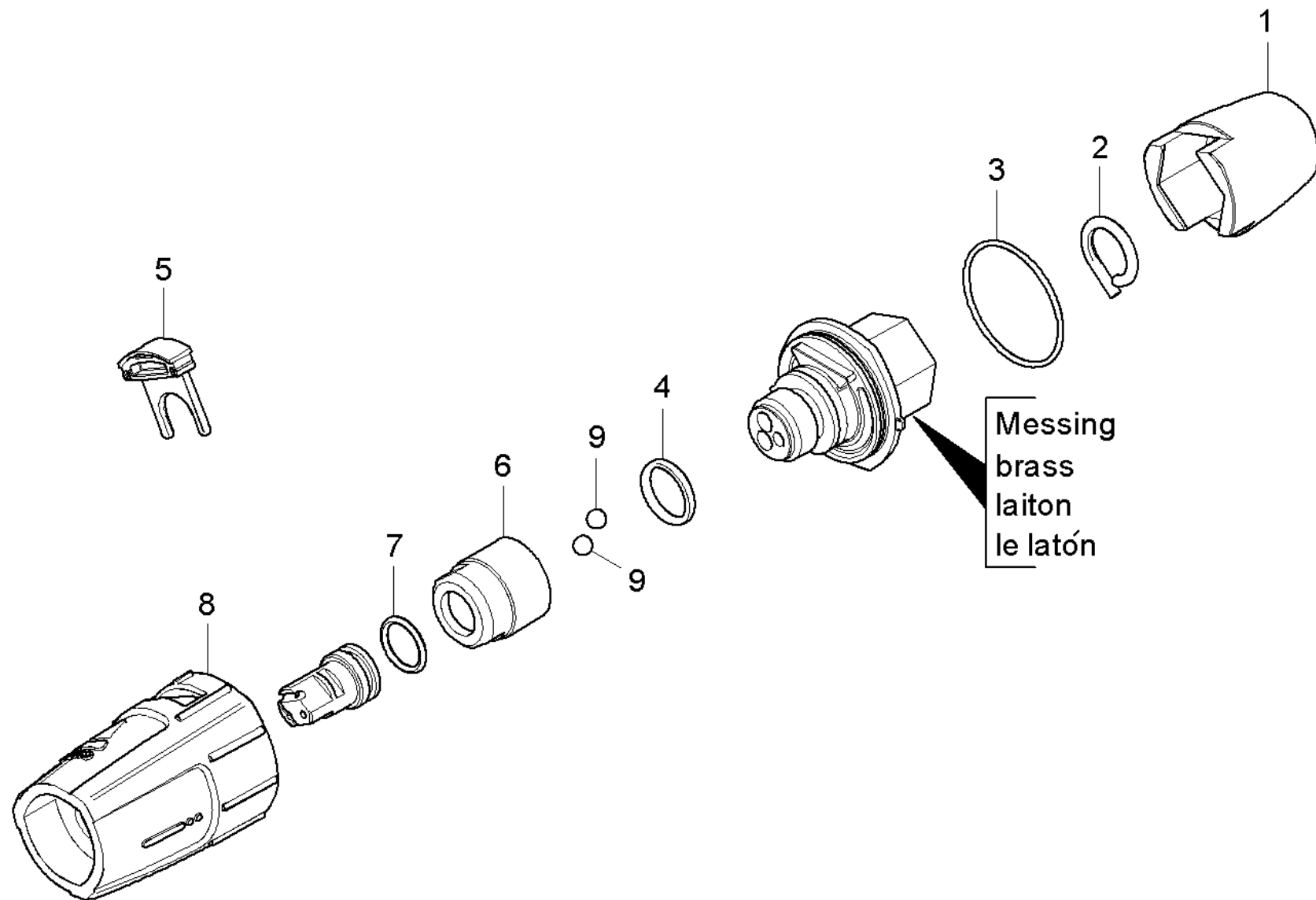




## 10 Triple jet nozzle plastics

---

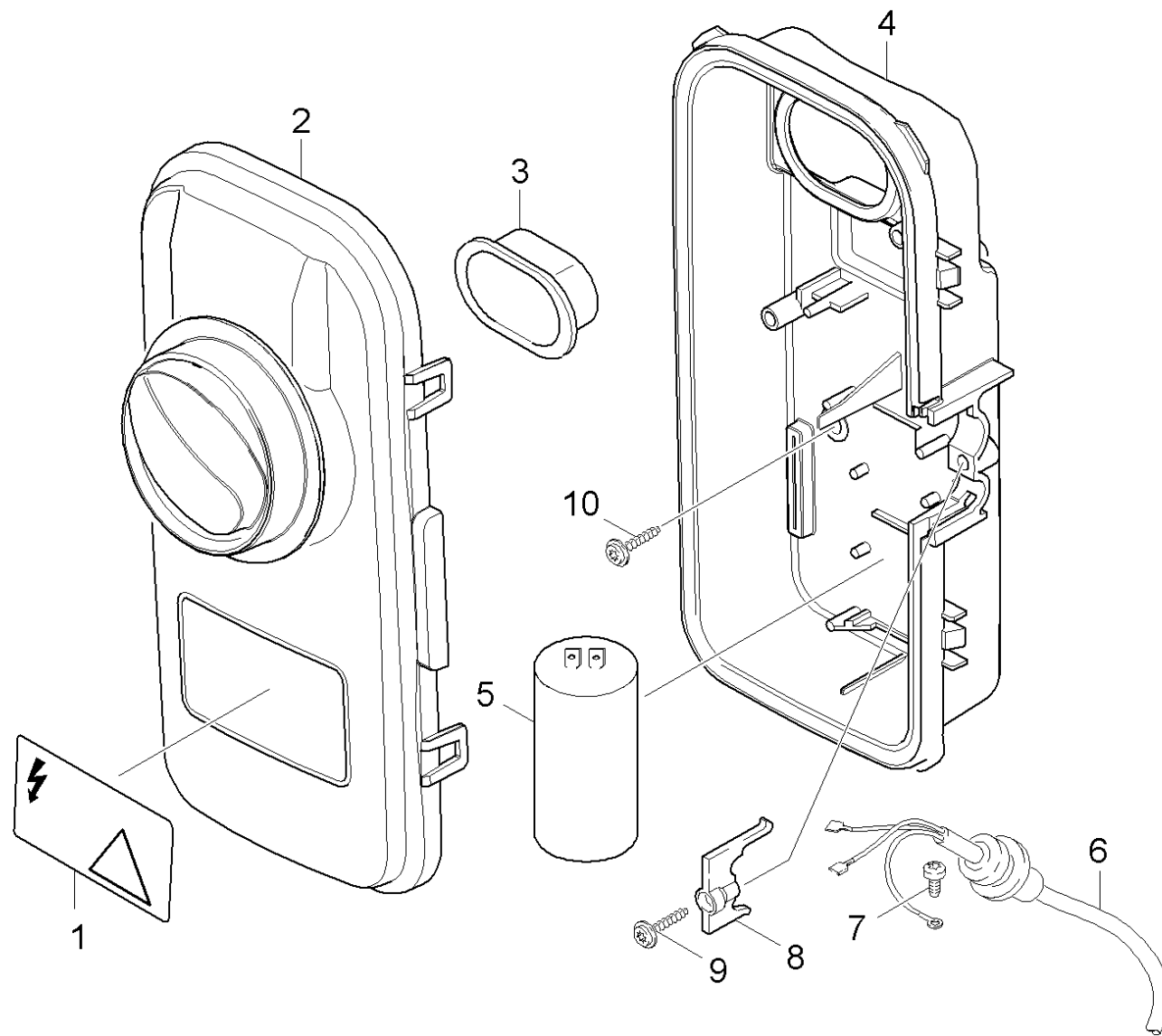
<b>POS</b>	<b>Article no.</b>	<b>Description</b>	<b>Quantity</b>	<b>Unit</b>
1	5.394-530.0	Protection part complete	1.000	ST
2	6.343-150.0	Pin 03	1.000	ST
3	6.362-409.0	O-Ring seal 32,0 X 1,5	1.000	ST
4	7.362-039.0	O-Ring seal 15,5x1,5 -NBR70 DIN 3771	1.000	ST
5	5.321-884.0	Clamp	1.000	ST
6	5.311-236.0	Nut	1.000	ST
7	6.362-480.0	O-Ring seal 12,42x 1,78	1.000	ST
8	5.394-874.0	Protection part	1.000	ST
9	7.401-902.0	Sphere 5 G20 -1.4034 DIN 5401	2.000	ST



## 20 Triple jet nozzle brass

---

<b>POS</b>	<b>Article no.</b>	<b>Description</b>	<b>Quantity</b>	<b>Unit</b>
1	5.394-530.0	Protection part complete	1.000	ST
2	6.343-150.0	Pin 03	1.000	ST
3	6.362-409.0	O-Ring seal 32,0 X 1,5	1.000	ST
4	6.362-460.0	O-Ring seal 14,0 X 2,5-NBR 70	1.000	ST
5	5.321-884.0	Clamp	1.000	ST
6	5.311-225.0	Nut	1.000	ST
7	6.362-480.0	O-Ring seal 12,42x 1,78	1.000	ST
8	5.394-859.0	Protection part	1.000	ST
9	7.401-902.0	Sphere 5 G20 -1.4034 DIN 5401	2.000	ST



## 50 Electric box

POS	Article no.	Description	Quantity	Unit	Remark
1	5.388-512.0	Label	1.000	ST	
2	4.744-200.0	Switch complete	1.000	ST	
	<b>Item text1:</b> / 1.514-106.0 / -111.0				
2	4.744-266.0	Switch complete	1.000	ST	
	<b>Item text1:</b> 1.514-112.0 /-113.0 /-123.0 /-124.0 /-201.0 /-203.0 /-204.0 /-205.0 /-206.0 /-207.0 /-251.0 /-252.0 /-255.0 /-503.0 /-507.0 /-508.0				
2	4.744-166.0	Switch complete	1.000	ST	
	<b>Item text1:</b> 1.514-101.0 / -103.0 / -104.0 / -105.0 /				
	<b>Item text2:</b> 1.514-109.0 / -110.0 / -127.0 /-151.0 /				
3	5.365-181.0	Profile gasket	1.000	ST	
4	5.061-084.0	Housing	1.000	ST	
	<b>Item text1:</b> / 1.514-106.0 / -111.0				
4	5.061-000.0	Housing	1.000	ST	
	<b>Item text1:</b> 1.514-101.0 /-103.0 /-104.0 /-105.0 / -110.0 /-112.0 /-113.0 /-123.0 /-124.0 /-127.0 /-151.0 /-201.0 /-203.0 /-204.0 /-205.0 /-206.0 /-207.0 /-251.0 /-252.0 /-255.0 /-503.0 /-507.0 /-508.0				
5	6.661-237.0	Capacitor 70µF	1.000	ST	70 mF
5	6.661-298.0	Capacitor 40µf	1.000	ST	40 mF
5	6.661-132.0	Capacitor 35MF	1.000	ST	35 mF
5	6.661-129.0	Capacitor 25MF	1.000	ST	25 mF
	<b>Item text1:</b> /1.514-101.0/-103.0/-104.0/-105.0 /-109.0 /-112.0 /-113.0 /-123.0 /-124.0 /-151.0 /-201.0 /-203.0 /-251.0 /-252.0 /-255.0 /-503.0 /-507.0 /-508.0				
6	6.649-292.0	Cable with plug	1.000	ST	
	<b>Item text1:</b> / 1.514-111.0				
6	6.649-943.0	Cable with plug CH	1.000	ST	(CH)
	<b>Item text1:</b> / 1.514-104.0				
6	6.648-980.0	Cable with plug *CDN	1.000	ST	(CSA)
	<b>Item text1:</b> / 1.514-106.0				
6	6.648-906.0	Cable with plug	1.000	ST	(EUR)
	<b>Item text1:</b> 1.514-101.0 /-109.0 /-110.0 /-112.0 /-113.0 /-123.0 /-124.0 /-151.0 /-201.0 /-204.0 /-205.0 /-206.0 /-251.0 /-252.0 /-255.0 /-503.0 /-508.0				
6	6.648-977.0	Cable with plug *GB	1.000	ST	(GB)
	<b>Item text1:</b> / 1.514-103.0 /-127.0 /-203.0 /-207.0				
	<b>Item text2:</b> /-507.0				
6	6.648-979.0	Cable with plug *AUS	1.000	ST	(AU)
	<b>Item text1:</b> / 1.514-105.0				
7	7.303-031.0	Screw M4x10 -St-P2R (In6Rd)	1.000	ST	

## 50 Electric box

---

POS	Article no.	Description	Quantity	Unit	Remark
8	5.263-051.0	Tensioning part	1.000	ST	
9	6.303-200.0	Screw 5x25-IN6RD	1.000	ST	
10	6.303-153.0	Screw M5x15-ST-R2R (IN6RD)	3.000	ST	