

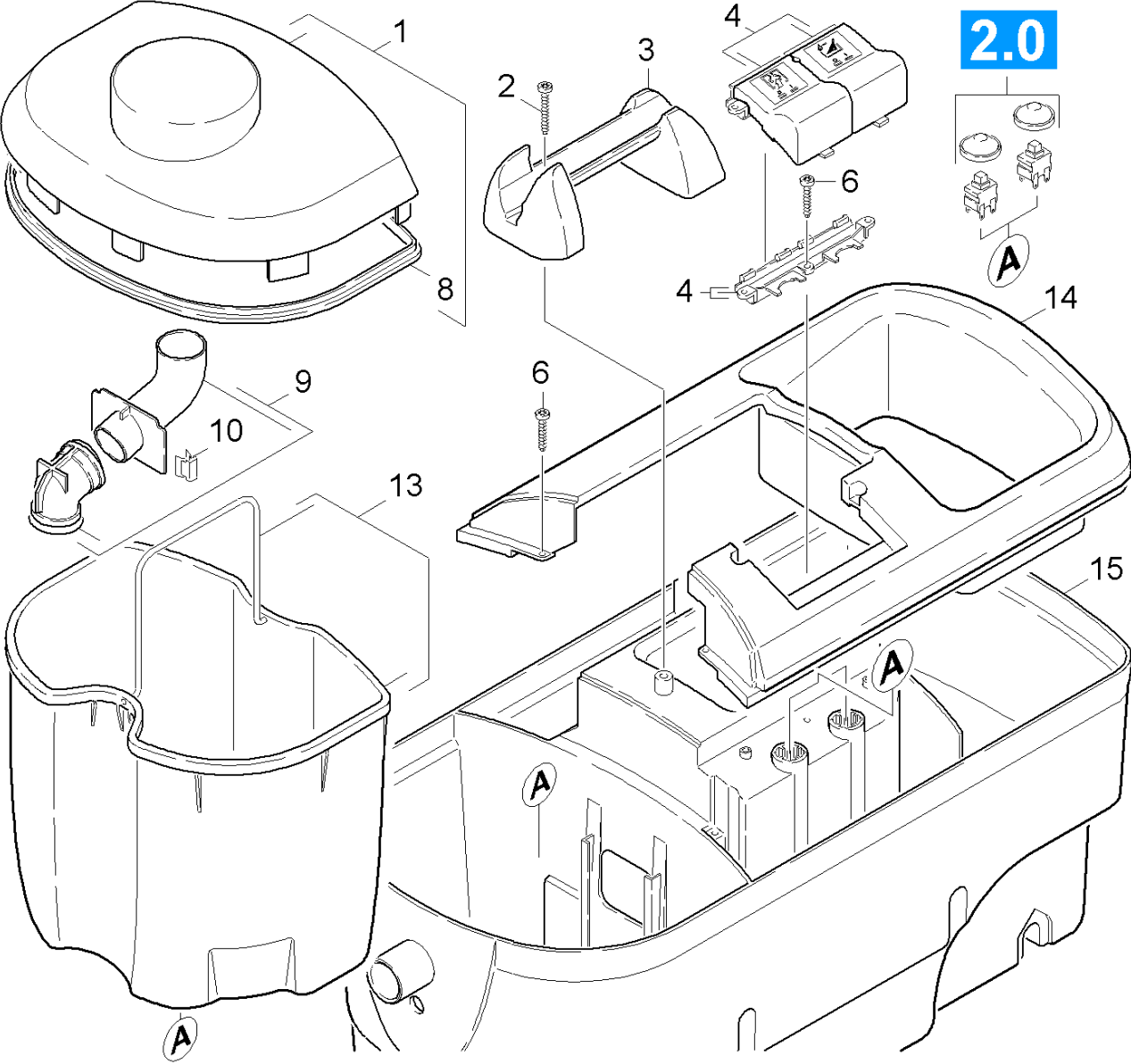
Spare parts list
(5.958-029.0) Spare parts list PUZZI 100

Table of contents

| | |
|---|----|
| Spare parts list PUZZI 100 (5.958-029.0) | 6 |
| 10 Tank water PUZZI 100 (0.162-640.0) | 7 |
| 20 Appliance individual parts PUZZI 100 (0.162-642.0) | 9 |
| 30 Housing drawer complete (0.162-644.0) | 12 |
| 40 Suction hose (0.164-237.0) | 15 |
| 50 Hand nozzle (0.162-688.0) | 17 |
| 60 Floor tool complete (0.164-239.0) | 19 |
| 61 Floor tool (0.164-238.0) | 20 |
| 62 Floor tool (0.164-274.0) | 23 |
| 70 Driving carriage (0.162-721.0) | 26 |

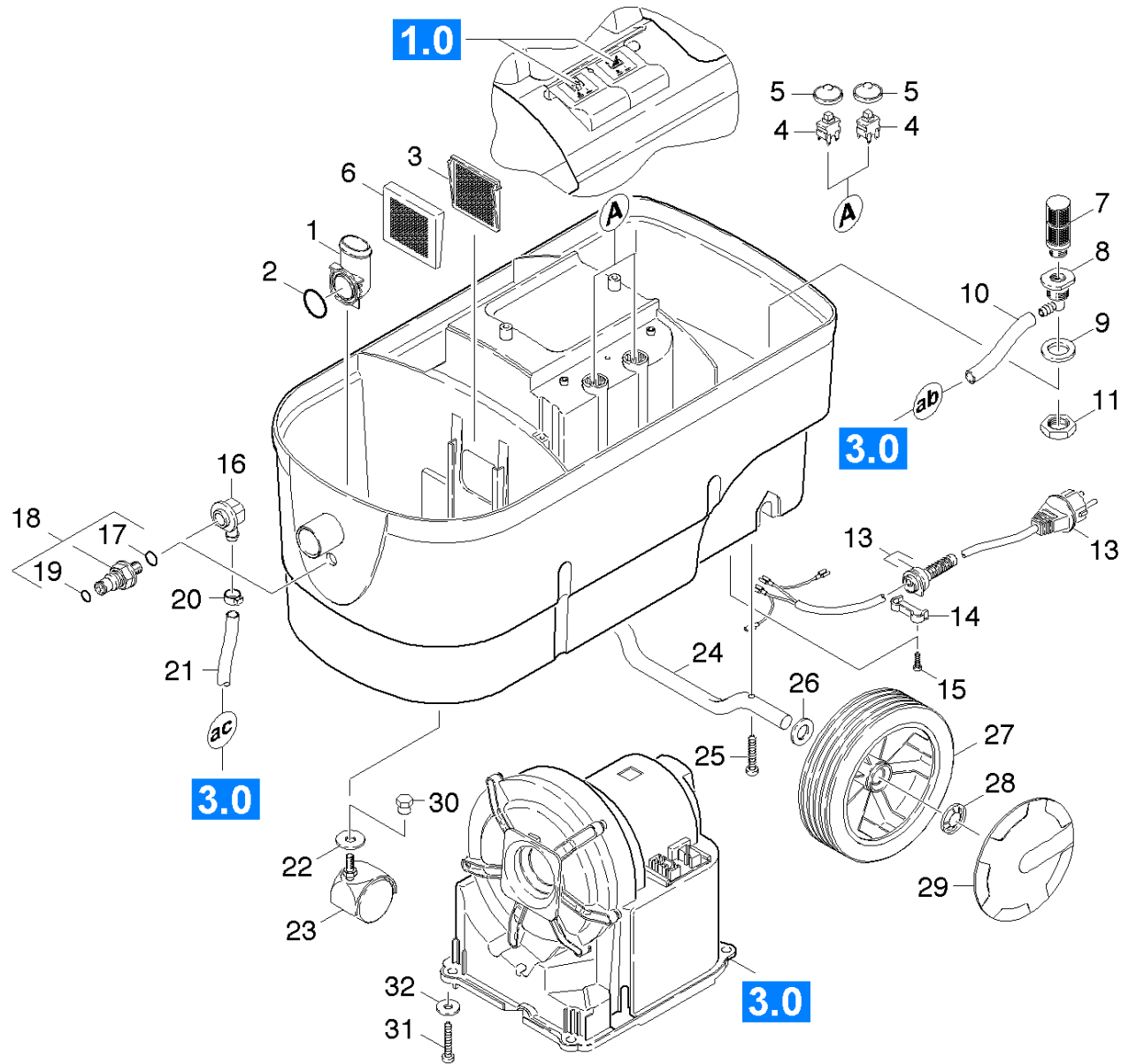
Spare parts list PUZZI 100 (5.958-029.0)

| Pos | Material # | Name | from ser.nr. | up to ser.nr. |
|-----|-------------|--------------------------------------|--------------|---------------|
| 10 | 0.162-640.0 | Tank water PUZZI 100 | 0000000000 | 0000000000 |
| 20 | 0.162-642.0 | Appliance individual parts PUZZI 100 | 0000000000 | 0000000000 |
| 30 | 0.162-644.0 | Housing drawer complete | 0000000000 | 0000000000 |
| 40 | 0.164-237.0 | Suction hose | 0000000000 | 0000000000 |
| 50 | 0.162-688.0 | Hand nozzle | 0000000000 | 0000000000 |
| 60 | 0.164-239.0 | Floor tool complete | 0000000000 | 0000000000 |
| 70 | 0.162-721.0 | Driving carriage | 0000000000 | 0000000000 |



10 Tank water PUZZI 100 (0.162-640.0)

| ET/VT (spare/wear parts) | Pos | Material # | Name | Qty. | Unit | from ser.nr. | up to ser.nr. |
|--|-----|-------------|------------------------------------|-------|------|--------------|---------------|
| X-X | 1 | 4.063-628.0 | Cover complete | 1.000 | ST | 0000000000 | 0000000000 |
| X-X | 2 | 7.303-086.0 | Screw 5x30 -10.9-R2R (K-In6Rd) | 2.000 | ST | 0000000000 | 0000000000 |
| X-X | 3 | 5.321-517.0 | Handhold | 1.000 | ST | 0000000000 | 0000000000 |
| | 4 | 4.324-021.0 | Pushbutton complete grey | 1.000 | ST | 0000000000 | 0000000000 |
| | 6 | 7.303-084.0 | Screw 4x25 -10.9-R2R (K-In6Rd) | 5.000 | ST | 0000000000 | 0000000000 |
| | 7 | 6.363-323.0 | O-Ring seal 27x1,5 | 1.000 | ST | | |
| X-X | 8 | 5.363-390.0 | Seal cover | 1.000 | ST | 0000000000 | 0000000000 |
| X-X | 9 | 4.031-070.0 | Elbow complete | 1.000 | ST | 0000000000 | 0000000000 |
| X-X | 10 | 6.373-081.0 | U-Fastening 4,5-5mm | 2.000 | ST | 0000000000 | 0000000000 |
| X | 13 | 4.070-298.0 | Tank complete only for replacement | 1.000 | ST | 0000000000 | 0000000000 |
| | 14 | 5.013-082.0 | Funnel | 1.000 | ST | 0000000000 | 0000000000 |
| | 15 | 5.069-241.0 | Housing RAL 2004 BOELS | 1.000 | ST | | |
| Position text: /1.100-115.0 | | | | | | | |
| | 15 | 5.060-604.0 | Housing RAL 1018-PUZZI 100 | 1.000 | ST | 0000000000 | 0000000000 |
| Position text: / 1.100-101.0 / -102.0 / -103.0 / -104.0 / -107.0 / -113.0 / -114.0 / -116.0 / -117.0 | | | | | | | |
| | 15 | 5.060-736.0 | Housing RAL 9010* BENELUX | 1.000 | ST | 0000000000 | 0000000000 |
| Position text: / 1.100-108.0 | | | | | | | |
| | 15 | 5.060-761.0 | Housing RAL9010 | 1.000 | ST | 0000000000 | 0000000000 |
| Position text: / 1.100-112.0 | | | | | | | |



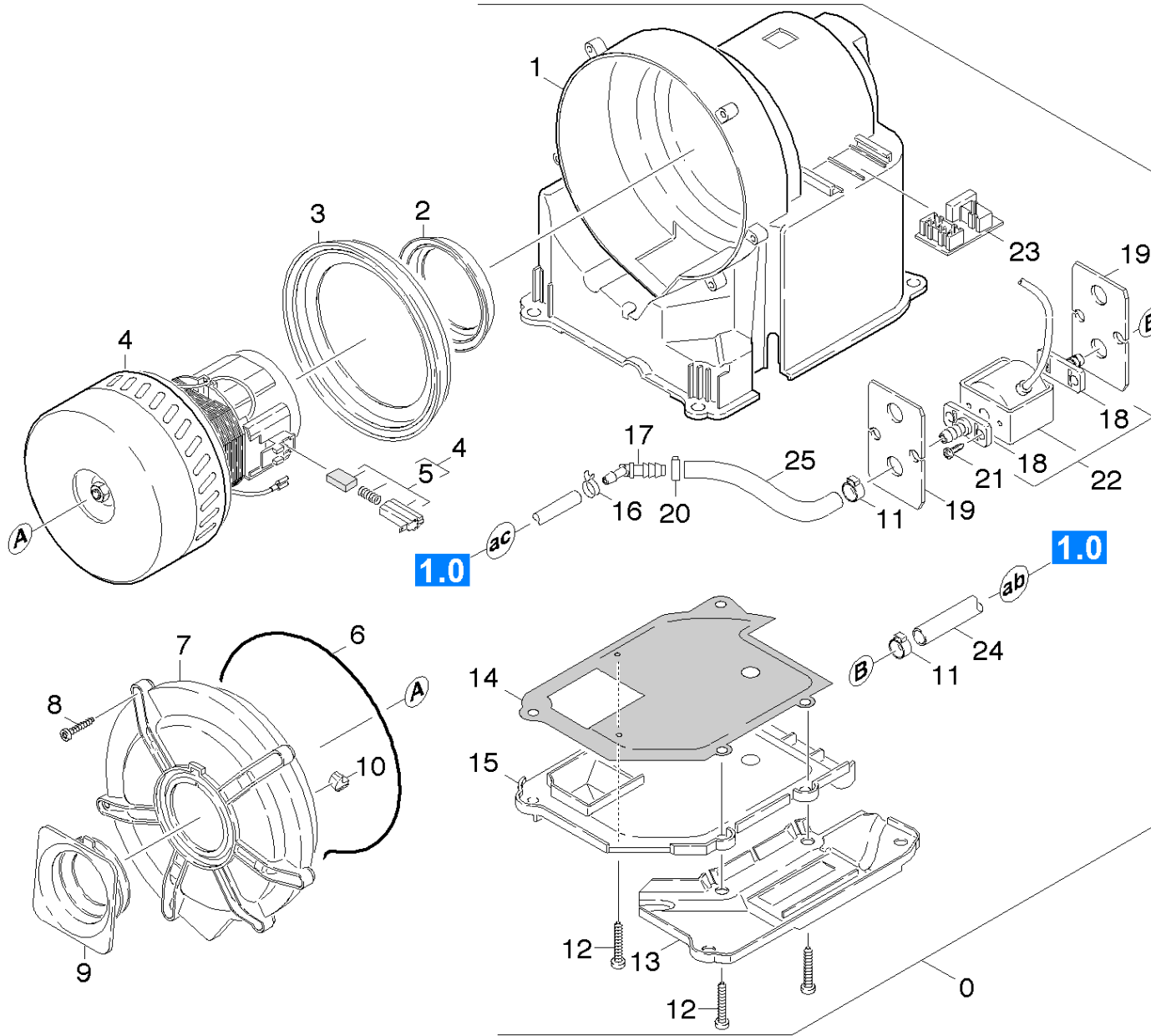
20 Appliance individual parts PUZZI 100 (0.162-642.0)

| ET/VT (spare/wear parts) | Pos | Material # | Name | Qty. | Unit | from ser.nr. | up to ser.nr. |
|--|-----|-------------|---------------------------------|-------|------|--------------|---------------|
| X-X | 1 | 5.402-605.0 | Connection piece aspiration | 1.000 | ST | 0000000000 | 0000000000 |
| X-X | 2 | 6.362-526.0 | O-Ring seal 29,1 X 2,55 -NBR 70 | 1.000 | ST | 0000000000 | 0000000000 |
| X-X | 3 | 5.734-087.0 | Fluffing strainer | 1.000 | ST | 0000000000 | 0000000000 |
| X-X | 4 | 6.630-437.0 | Switch on/off | 2.000 | ST | 0000000000 | 0000000000 |
| | 5 | 5.394-461.0 | Protection part | 2.000 | ST | 0000000000 | 0000000000 |
| X-X | 6 | 5.734-089.0 | Filter | 1.000 | ST | 0000000000 | 0000000000 |
| X-X | 7 | 6.414-027.0 | Filter | 1.000 | ST | 0000000000 | 0000000000 |
| | 8 | 5.443-246.0 | Hose stem | 1.000 | ST | 0000000000 | 0000000000 |
| | 9 | 5.363-108.0 | Joint ring | 1.000 | ST | 0000000000 | 0000000000 |
| | 10 | 5.442-722.0 | Piece of tube | 1.000 | ST | 0000000000 | 0000000000 |
| | 11 | 6.310-004.0 | Hexagon nut G 1/2" | 1.000 | ST | 0000000000 | 0000000000 |
| | 13 | 6.648-240.0 | Cable with plug *RA | 1.000 | ST | 0000000000 | 0000000000 |
| Position text: / 1.100-111.0 | | | | | | | |
| X | 13 | 6.647-860.0 | Power cable 7,5m PVC *EU | 1.000 | ST | 0000000000 | 0000000000 |
| Position text: / 1.100-101.0 / -107.0 / -108.0 / -112.0/ -113.0 / -115.0 / -116.0 / -117.0 | | | | | | | |
| | 13 | 6.647-991.0 | Power cable | 1.000 | ST | 0000000000 | 0000000000 |
| Position text: / 1.100-102.0 | | | | | | | |
| | 13 | 6.647-992.0 | Power cable | 1.000 | ST | 0000000000 | 0000000000 |
| Position text: / 1.100-103.0 | | | | | | | |
| | 13 | 6.647-993.0 | Power cable | 1.000 | ST | 0000000000 | 0000000000 |
| Position text: / 1.100-104.0 / -114.0 | | | | | | | |
| | 14 | 5.044-084.0 | Holder | 1.000 | ST | 0000000000 | 0000000000 |
| | 15 | 7.303-084.0 | Screw 4x25 -10.9-R2R (K-In6Rd) | 2.000 | ST | 0000000000 | 0000000000 |
| | 16 | 5.443-437.0 | Hose stem | 1.000 | ST | 0000000000 | 0000000000 |
| | 17 | 6.362-797.0 | O-Ring seal 9,0 X 2,0 | 1.000 | ST | 0000000000 | 0000000000 |

20 Appliance individual parts PUZZI 100 (0.162-642.0)

| ET/VT (spare/wear parts) | Pos | Material # | Name | Qty. | Unit | from ser.nr. | up to ser.nr. |
|---|-----|-------------|--------------------------------|-------|------|--------------|---------------|
| X-X | 18 | 4.409-001.0 | Nipple complete | 1.000 | ST | 0000000000 | 0000000000 |
| X | 19 | 2.883-151.0 | Spare part set O-Ring seal | 1.000 | ST | 0000000000 | 0000000000 |
| | 20 | 6.389-992.0 | Hose clip | 1.000 | ST | 0000000000 | 0000000000 |
| | 21 | 6.390-220.0 | Hose DN 6,5 | 1.000 | ST | 0000000000 | 0000000000 |
| X | 22 | 7.312-285.0 | Washer 10 -200HV-A2E ISO7093-1 | 2.000 | ST | 0000000000 | 0000000000 |
| X-X | 23 | 6.435-039.0 | Castor | 2.000 | ST | 0000000000 | 0000000000 |
| | 24 | 5.105-252.0 | Axle | 1.000 | ST | 0000000000 | 0000000000 |
| X-X | 25 | 7.303-086.0 | Screw 5x30 -10.9-R2R (K-In6Rd) | 2.000 | ST | 0000000000 | 0000000000 |
| X-X | 26 | 7.312-057.0 | Washer 16 -A2 ISO 7090 | 2.000 | ST | 0000000000 | 0000000000 |
| X-X | 27 | 6.435-196.0 | Wheel D 180 | 2.000 | ST | 0000000000 | 0000000000 |
| X-X | 28 | 6.343-168.0 | Lock washer | 2.000 | ST | 0000000000 | 0000000000 |
| | 29 | 6.435-349.0 | Wheel cab black neutrally | 2.000 | ST | 0000000000 | 0000000000 |
| Position text: / 1.100-108.0 / -112.0 / -115.0 | | | | | | | |
| X-X | 29 | 6.435-197.0 | Wheel cab zinc yellow | 2.000 | ST | 0000000000 | 0000000000 |
| Position text: / 1.100-101.0 / -102.0 / -103.0 / -104.0 / -107.0 / -111.0 / -113.0 / -114.0 | | | | | | | |
| X-X | 30 | 5.110-659.0 | Bush | 2.000 | ST | 0000000000 | 0000000000 |
| X-X | 31 | 6.303-285.0 | Screw M 8x 40 | 4.000 | ST | 0000000000 | 0000000000 |
| | 32 | 5.363-397.0 | Joint ring | 4.000 | ST | 0000000000 | 0000000000 |

30 Housing drawer complete (0.162-644.0)

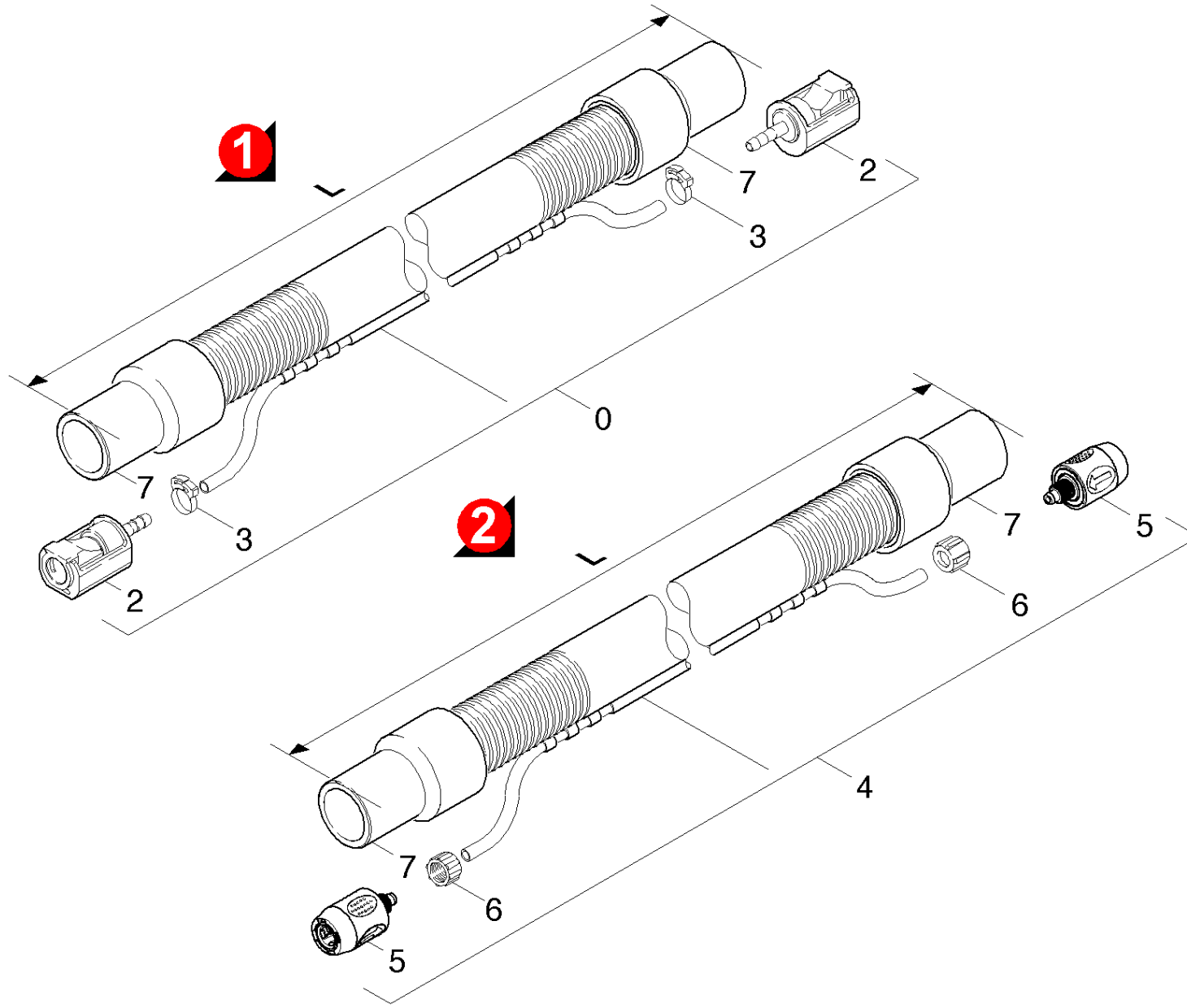


30 Housing drawer complete (0.162-644.0)

| ET/VT (spare/wear parts) | Pos | Material # | Name | Qty. | Unit | from ser.nr. | up to ser.nr. |
|--|-----|-------------|---|-------|------|--------------|---------------|
| | 0 | 4.605-075.0 | Housing drawer complete | 1.000 | ST | 0000125504 | 0000000000 |
| | 0 | 4.605-032.0 | Housing drawer complete -PUZZI 100 (230V) | 1.000 | ST | 0000000000 | 0000125503 |
| | 1 | 5.605-290.0 | Housing turbine | 1.000 | ST | 0000125504 | 0000000000 |
| | 1 | 5.605-215.0 | Housing turbine | 1.000 | ST | 0000000000 | 0000125503 |
| | 2 | 5.363-395.0 | Seal | 1.000 | ST | 0000000000 | 0000000000 |
| | 3 | 5.363-393.0 | Seal | 1.000 | ST | 0000000000 | 0000000000 |
| | 4 | 4.610-047.0 | Vacuum motor complete -250V | 1.000 | ST | 0000000000 | 0000000000 |
| Position text: / 1.100-103.0 / -104.0 / -114.0 | | | | | | | |
| X-X | 4 | 4.610-046.0 | Vacuum motor complete -230V | 1.000 | ST | 0000000000 | 0000000000 |
| Position text: / 1.100-101.0 / -102.0 / -107.0 / -108.0 / -111.0 / -112.0 / -113.0 / -114.0 / -115.0 / -116.0 / -117.0 | | | | | | | |
| X | 5 | 6.610-204.0 | Carbon brush set only for replacement | 1.000 | ST | 0000000000 | 0000000000 |
| | 6 | 6.273-162.0 | Cellular rubber | 1.000 | ST | 0000000000 | 0000000000 |
| | 7 | 5.063-747.0 | Cover turbine | 1.000 | ST | 0000000000 | 0000000000 |
| | 8 | 7.303-084.0 | Screw 4x25 -10.9-R2R (K-In6Rd) | 6.000 | ST | 0000000000 | 0000000000 |
| | 9 | 5.363-392.0 | Seal | 1.000 | ST | 0000000000 | 0000000000 |
| | 10 | 5.363-405.0 | Seal | 1.000 | ST | 0000000000 | 0000000000 |
| X-X | 11 | 6.388-683.0 | Hose clip - 14/ 9 | 2.000 | ST | 0000000000 | 0000000000 |
| X-X | 12 | 7.303-086.0 | Screw 5x30 -10.9-R2R (K-In6Rd) | 4.000 | ST | 0000000000 | 0000000000 |
| | 13 | 5.031-461.0 | Covering cap small | 1.000 | ST | 0000000000 | 0000000000 |
| | 14 | 5.364-233.0 | Flat gasket | 1.000 | ST | 0000000000 | 0000125503 |
| | 14 | 5.364-233.0 | Flat gasket | 1.000 | ST | 0000125504 | 0000000000 |
| | 15 | 5.033-096.0 | Covering cap large | 1.000 | ST | 0000000000 | 0000125503 |
| | 15 | 5.033-096.0 | Covering cap large | 1.000 | ST | 0000125504 | 0000000000 |
| | 16 | 6.388-555.0 | Hose clip 9,0mm | 1.000 | ST | 0000000000 | 0000000000 |
| | 17 | 5.409-261.0 | Nipple | 1.000 | ST | 0000000000 | 0000000000 |

30 Housing drawer complete (0.162-644.0)

| ET/VT (spare/wear parts) | Pos | Material # | Name | Qty. | Unit | from ser.nr. | up to ser.nr. |
|--------------------------|-----|-------------|--|-------|------|--------------|---------------|
| | 18 | 5.443-439.0 | Hose stem D9,5 | 1.000 | ST | 0000000000 | 0000000000 |
| | 19 | 5.031-468.0 | Bearing pump | 2.000 | ST | 0000000000 | 0000000000 |
| X | 20 | 6.388-701.0 | Hose clip with insert 13,3 | 1.000 | ST | 0000000000 | 0000000000 |
| | 21 | 7.306-625.0 | Cylinder head screw M 4x 6-4.8-A2E ISO | 4.000 | ST | 0000000000 | 0000000000 |
| X-X | 22 | 6.473-376.0 | Moto - pompe | 1.000 | ST | 0000000000 | 0000000000 |
| X-X | 23 | 6.682-391.0 | Circuit board | 1.000 | ST | 0000000000 | 0000000000 |
| | 24 | 5.442-722.0 | Piece of tube | 1.000 | ST | 0000000000 | 0000000000 |
| | 25 | 5.442-924.0 | Piece of tube | 1.000 | ST | 0000000000 | 0000000000 |



40 Suction hose (0.164-237.0)

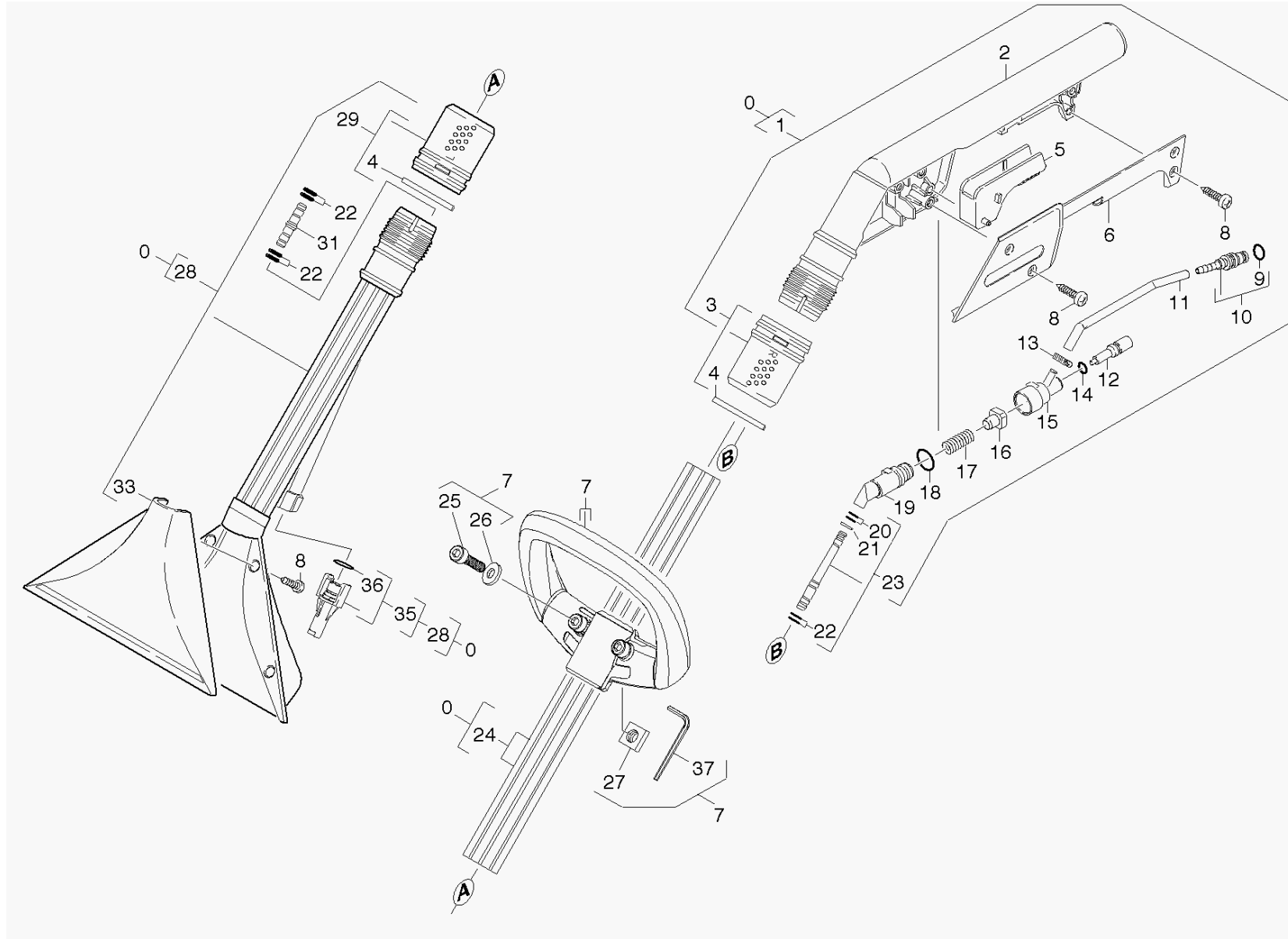
| ET/VT (spare/wear parts) | Pos | Material # | Name | Qty. | Unit | from ser.nr. | up to ser.nr. | var. information | Footnote text |
|--------------------------|-----|-------------|--|-------|------|--------------|---------------|------------------|---------------|
| X-X | 0 | 6.391-411.0 | Suction hose DN32 | 1.000 | ST | 0000000000 | 0000000000 | L = 4000 MM | VERSION 1 |
| X-X | 0 | 6.391-410.0 | Suction hose DN32 | 1.000 | ST | 0000000000 | 0000000000 | L = 2400 MM | VERSION 1 |
| X-X | 2 | 4.446-019.0 | Hose coupling complete for replacement | 2.000 | ST | 0000000000 | 0000000000 | | VERSION 1 |
| X-X | 3 | 6.389-882.0 | Hose clip 8,5-10,0 | 2.000 | ST | 0000000000 | 0000000000 | | VERSION 1 |
| X-X | 4 | 6.391-411.0 | Suction hose DN32 | 1.000 | ST | 0000000000 | 0000000000 | L = 4000 MM | VERSION 2 |
| X-X | 4 | 6.391-410.0 | Suction hose DN32 | 1.000 | ST | 0000000000 | 0000000000 | L = 2400 MM | VERSION 2 |
| X-X | 5 | 4.446-019.0 | Hose coupling complete for replacement | 2.000 | ST | 0000000000 | 0000000000 | | VERSION 2 |
| X | 6 | 6.388-381.0 | Union nut | 2.000 | ST | 0000000000 | 0000000000 | | VERSION 2 |
| | 7 | 6.906-713.0 | Sleeve DN32 | 2.000 | ST | 0000000000 | 0000000000 | | VERSION 2 |

50 Hand nozzle (0.162-688.0)

| ET/VT (spare/wear parts) | Pos | Material # | Name | Qty. | Unit | from ser.nr. | up to ser.nr. |
|--------------------------|-----|-------------|-------------------------------|-------|------|--------------|---------------|
| X-X | 0 | 4.130-116.0 | Hand nozzle | 1.000 | ST | 0000000000 | 0000000000 |
| | 1 | 4.130-126.0 | Hand nozzle with cover | 1.000 | ST | 0000000000 | 0000000000 |
| X-X | 2 | 5.130-223.0 | Cover hand nozzle | 1.000 | ST | 0000000000 | 0000000000 |
| | 3 | 5.112-572.0 | Bush | 1.000 | ST | 0000000000 | 0000000000 |
| X-X | 4 | 6.362-498.0 | O-Ring seal 6,75x1,78 NBR 70 | 1.000 | ST | 0000000000 | 0000000000 |
| X-X | 5 | 4.443-019.0 | Hose stem | 1.000 | ST | 0000000000 | 0000000000 |
| X | 6 | 6.390-257.0 | Hose clip | 2.000 | ST | 0000000000 | 0000000000 |
| | 7 | 5.481-157.0 | Lever | 1.000 | ST | 0000000000 | 0000000000 |
| | 8 | 6.390-237.0 | Hose PU DN 6x1 | 1.000 | ZST | 0000000000 | 0000000000 |
| | 9 | 5.587-139.0 | Valve housing | 1.000 | ST | 0000000000 | 0000000000 |
| X | 10 | 6.362-401.0 | O-Ring seal 3,1 X 1,6 | 1.000 | ST | 0000000000 | 0000000000 |
| X-X | 11 | 5.584-033.0 | Valve pin | 1.000 | ST | 0000000000 | 0000000000 |
| X-X | 12 | 7.303-116.0 | Screw 4x12-A2-70 (IN6RD) | 4.000 | ST | 0000000000 | 0000000000 |
| X | 13 | 5.584-034.0 | Valve pin | 1.000 | ST | 0000000000 | 0000000000 |
| | 14 | 5.332-082.0 | Helical spring | 1.000 | ST | 0000000000 | 0000000000 |
| X-X | 15 | 6.362-402.0 | O-Ring seal 11,0 X 1,3-NBR 70 | 1.000 | ST | 0000000000 | 0000000000 |
| | 16 | 5.401-225.0 | Screw connector part | 1.000 | ST | 0000000000 | 0000000000 |
| X | 17 | 6.362-113.0 | O-Ring seal 6,0 X 2,0 | 1.000 | ST | 0000000000 | 0000000000 |
| | 18 | 6.415-340.0 | Nozzle mouthpiece 65G04 | 1.000 | ST | 0000000000 | 0000000000 |
| | 19 | 5.310-043.0 | Nut | 1.000 | ST | 0000000000 | 0000000000 |
| | 20 | 5.063-773.0 | Cover | 1.000 | ST | 0000000000 | 0000000000 |
| | 21 | 4.762-219.0 | Hard surface adapter | 1.000 | ST | 0000000000 | 0000000000 |
| | 22 | 6.959-282.0 | Brush strip | 1.000 | ST | 0000000000 | 0000000000 |
| | 23 | 6.959-283.0 | Rubber lip | 1.000 | ST | 0000000000 | 0000000000 |

60 Floor tool complete (0.164-239.0)

| Pos | Material # | Name | Qty. | Unit | from ser.nr. | up to ser.nr. | var. information |
|-----|-------------|------------|-------|------|--------------|---------------|------------------|
| 61 | 0.164-238.0 | Floor tool | 1.000 | ST | 0000000000 | 0000125503 | VERSION 1 |
| 62 | 0.164-274.0 | Floor tool | 1.000 | ST | 0000125504 | 0000000000 | VERSION 2 |

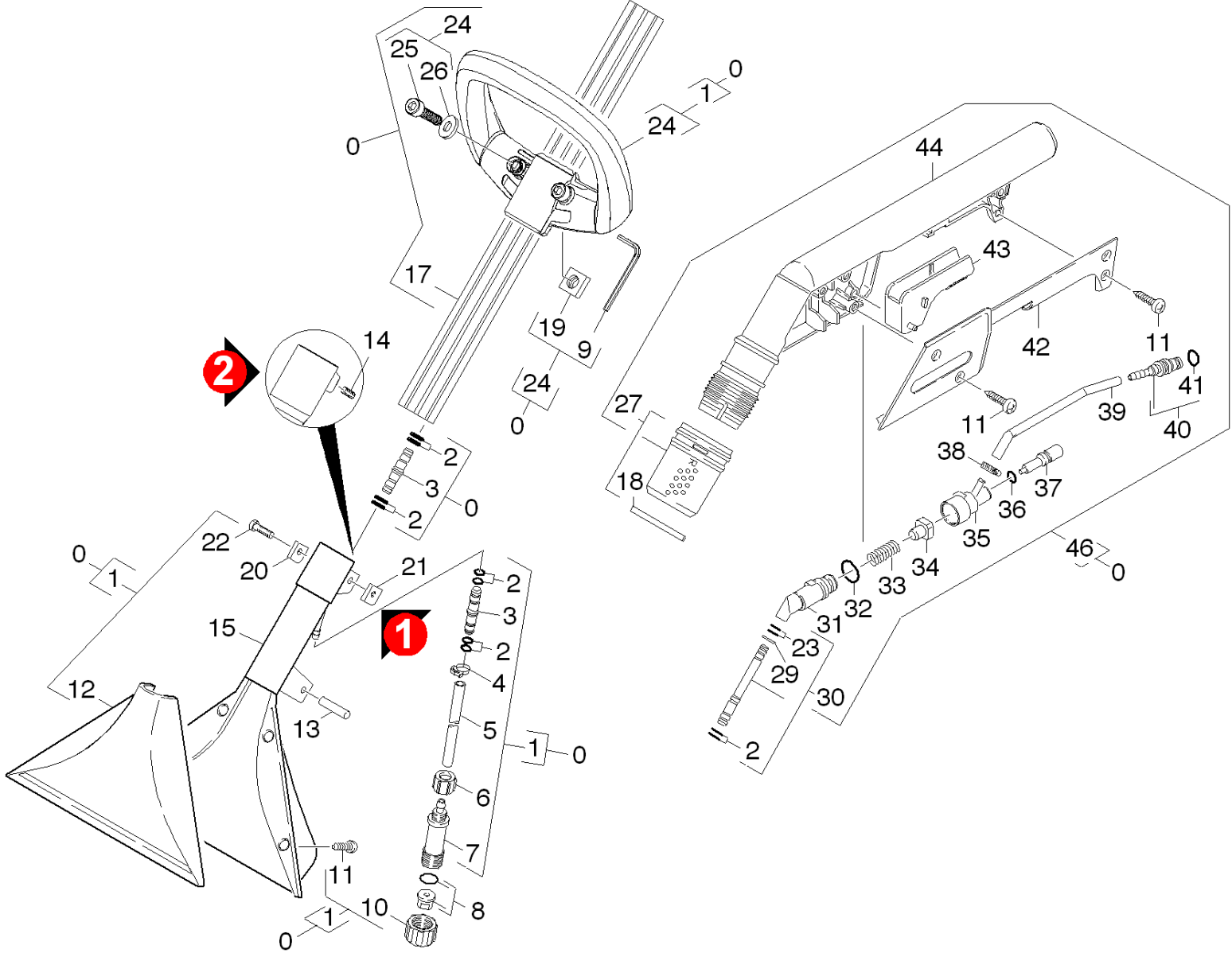


61 Floor tool (0.164-238.0)

| ET/VT (spare/wear parts) | Pos | Material # | Name | Qty. | Unit | from ser.nr. | up to ser.nr. | var. information | Footnote text |
|--------------------------|-----|-------------|--------------------------------|-------|------|--------------|---------------|------------------|-----------------------|
| | 0 | 4.130-128.0 | Nozzle for stairs | 1.000 | ST | 0000000000 | 0000000000 | | INCLUDES HANDLE, SUCT |
| X-X | 0 | 4.130-127.0 | Nozzle complete | 1.000 | ST | 0000000000 | 0000000000 | | INCLUDES HANDLE, SUCT |
| X-X | 1 | 4.321-101.0 | Handhold complete | 1.000 | ST | 0000000000 | 0000000000 | | |
| | 2 | 5.321-569.0 | Handhold | 1.000 | ST | 0000000000 | 0000000000 | | |
| X-X | 3 | 4.310-010.0 | Nut right hand thread | 1.000 | ST | 0000000000 | 0000000000 | | |
| | 4 | 5.343-014.0 | Locking ring | 2.000 | ST | 0000000000 | 0000000000 | | |
| | 5 | 5.481-157.0 | Lever | 1.000 | ST | 0000000000 | 0000000000 | | |
| | 6 | 5.031-038.0 | Moulded part | 1.000 | ST | 0000000000 | 0000000000 | | |
| | 7 | 4.321-186.0 | Hand grip PUZZI 100/200 | 1.000 | ST | 0000000000 | 0000000000 | | |
| X-X | 8 | 7.303-116.0 | Screw 4x12-A2-70 (IN6RD) | 8.000 | ST | 0000000000 | 0000000000 | | |
| X-X | 9 | 6.362-498.0 | O-Ring seal 6,75x1,78 NBR 70 | 1.000 | ST | 0000000000 | 0000000000 | | |
| X-X | 10 | 4.443-019.0 | Hose stem | 1.000 | ST | 0000000000 | 0000000000 | | |
| | 11 | 6.390-237.0 | Hose PU DN 6x1 | 1.000 | ZST | 0000000000 | 0000000000 | | TO ORDER AS CUT GOOD |
| X-X | 12 | 5.584-033.0 | Valve pin | 1.000 | ST | 0000000000 | 0000000000 | | |
| X | 13 | 6.390-257.0 | Hose clip | 2.000 | ST | 0000000000 | 0000000000 | | |
| X | 14 | 6.362-401.0 | O-Ring seal 3,1 X 1,6 | 1.000 | ST | 0000000000 | 0000000000 | | |
| | 15 | 5.587-139.0 | Valve housing | 1.000 | ST | 0000000000 | 0000000000 | | |
| X | 16 | 5.584-034.0 | Valve pin | 1.000 | ST | 0000000000 | 0000000000 | | |
| | 17 | 5.332-082.0 | Helical spring | 1.000 | ST | 0000000000 | 0000000000 | | |
| X-X | 18 | 6.362-402.0 | O-Ring seal 11,0 X 1,3-NBR 70 | 1.000 | ST | 0000000000 | 0000000000 | | |
| | 19 | 5.030-670.0 | Moulded part | 1.000 | ST | 0000000000 | 0000000000 | | |
| | 20 | 6.362-761.0 | O-Ring seal 4,0 X 1,2 | 2.000 | ST | 0000000000 | 0000000000 | | |
| X-X | 21 | 7.343-201.0 | Lock washer 6-FST-PHR DIN 6799 | 1.000 | ST | 0000000000 | 0000000000 | | |
| X-X | 22 | 6.362-472.0 | O-Ring seal 6,0 X 1,0-NBR 70 | 6.000 | ST | 0000000000 | 0000000000 | | |
| X-X | 23 | 4.127-009.0 | Extension | 1.000 | ST | 0000000000 | 0000000000 | | |

61 Floor tool (0.164-238.0)

| ET/VT (spare/wear parts) | Pos | Material # | Name | Qty. | Unit | from ser.nr. | up to ser.nr. | var. information | Footnote text |
|------------------------------|-----|-------------|--|-------|------|--------------|---------------|------------------|-------------------------|
| | 24 | 5.029-257.0 | Suction tube aluminium | 1.000 | ST | 0000000000 | 0000000000 | L = 630MM | |
| Position text: / 4.130-127.0 | | | | | | | | | |
| | 24 | 5.029-283.0 | Suction tube window nozzle | 1.000 | ST | 0000000000 | 0000000000 | L = 166MM | |
| Position text: / 4.130-128.0 | | | | | | | | | |
| | 25 | 7.306-024.0 | Cylinder head screw M6x30 -8.8-A2E ISO4 | 2.000 | ST | 0000000000 | 0000000000 | | |
| X-X | 26 | 7.312-292.0 | Washer 6 -A2 ISO 7093-1 | 2.000 | ST | 0000000000 | 0000000000 | | |
| | 27 | 7.311-571.0 | Square nut M6 -05-A2E DIN 557 | 2.000 | ST | 0000000000 | 0000000000 | | |
| X-X | 28 | 4.130-124.0 | Carpet nozzle | 1.000 | ST | 0000000000 | 0000000000 | | |
| X-X | 29 | 4.310-011.0 | Nut left hand thread only for replacemen | 1.000 | ST | 0000000000 | 0000000000 | | |
| X | 31 | 5.127-021.0 | Extension | 1.000 | ST | 0000000000 | 0000000000 | | |
| X-X | 33 | 5.777-027.0 | Cover suction nozzle | 1.000 | ST | 0000000000 | 0000000000 | | |
| | 35 | 5.765-079.0 | Spray nozzle yellow | 1.000 | ST | 0000000000 | 0000000000 | | YELLOW 2,0L/MIN (SEE RA |
| X-X | 35 | 5.765-080.0 | Spray nozzle black | 1.000 | ST | 0000000000 | 0000000000 | | BLACK 1,0L/MIN (SEE RAT |
| X-X | 36 | 6.362-384.0 | O-Ring seal 9,0 x 1,5 | 1.000 | ST | 0000000000 | 0000000000 | | |
| | 37 | 7.815-131.0 | Cranked wrench key 5,0-St ISO 2936 | 1.000 | ST | 0000000000 | 0000000000 | | |

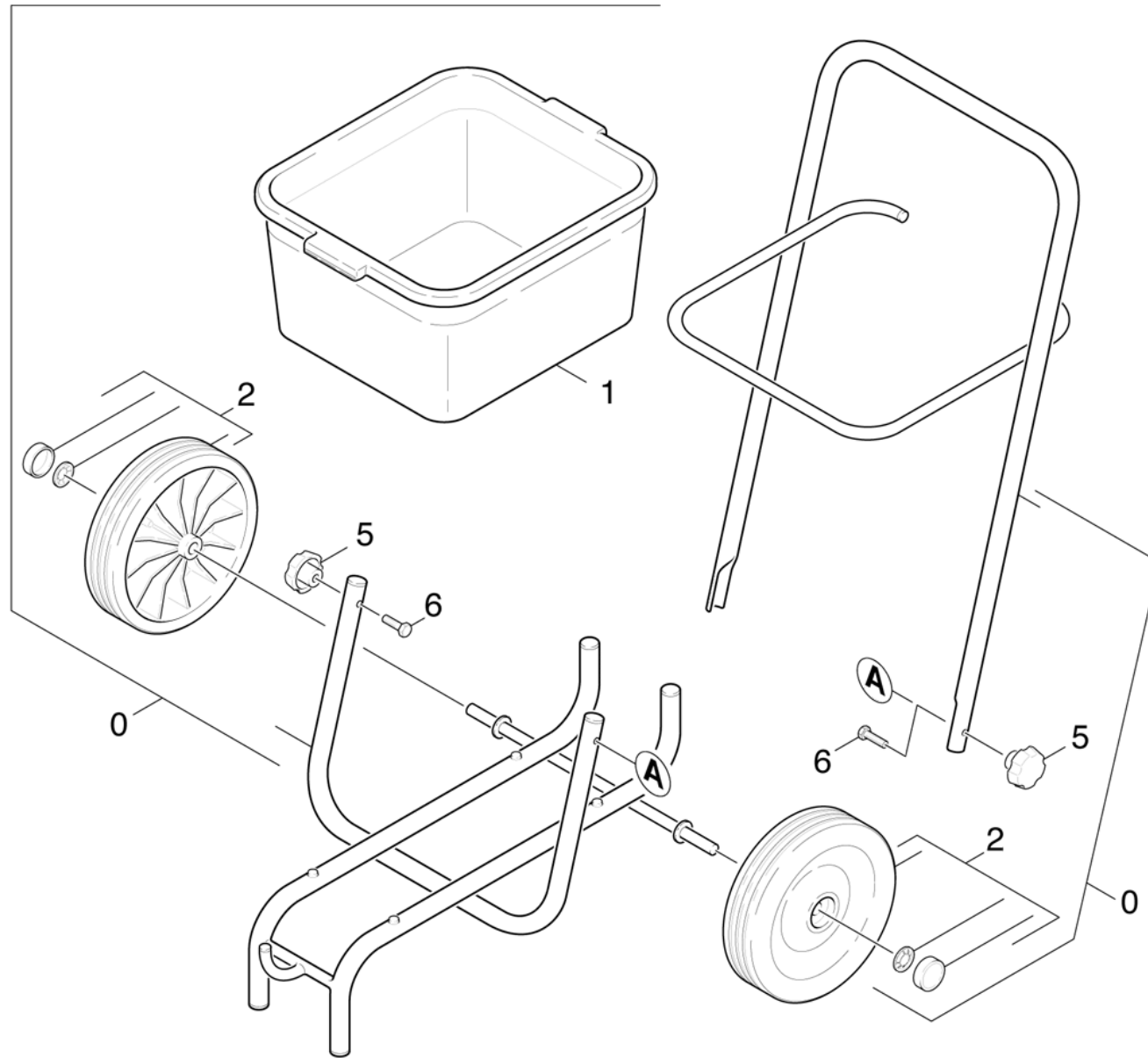


62 Floor tool (0.164-274.0)

| ET/VT (spare/wear parts) | Pos | Material # | Name | Qty. | Unit | from ser.nr. | up to ser.nr. | Footnote text |
|--------------------------|-----|-------------|--|-------|------|--------------|---------------|-----------------------|
| | 0 | 4.130-394.0 | Nozzle metal with packing | 1.000 | ST | 0000000000 | 0000000000 | |
| | 1 | 4.130-398.0 | Floor tool metal | 1.000 | ST | 0000000000 | 0000000000 | |
| X-X | 2 | 6.362-472.0 | O-Ring seal 6,0 X 1,0-NBR 70 | 8.000 | ST | 0000000000 | 0000000000 | |
| X | 3 | 5.127-021.0 | Extension | 2.000 | ST | 0000000000 | 0000000000 | |
| X-X | 4 | 6.389-882.0 | Hose clip 8,5-10,0 | 1.000 | ST | 0000000000 | 0000000000 | |
| | 5 | 6.388-326.0 | Hose DN 6 | 1.000 | M | 0000000000 | 0000000000 | TO ORDER AS CUT GOODS |
| X | 6 | 6.388-381.0 | Union nut | 1.000 | ST | 0000000000 | 0000000000 | |
| | 7 | 5.401-053.0 | Screw connector part | 1.000 | ST | 0000000000 | 0000000000 | |
| | 8 | 2.884-546.0 | Nozzles set | 1.000 | ST | 0000000000 | 0000000000 | |
| | 9 | 7.815-131.0 | Cranked wrench key 5,0-St ISO 2936 | 1.000 | ST | 0000000000 | 0000000000 | |
| | 10 | 5.310-043.0 | Nut | 1.000 | ST | 0000000000 | 0000000000 | |
| X-X | 11 | 7.303-116.0 | Screw 4x12-A2-70 (IN6RD) | 8.000 | ST | 0000000000 | 0000000000 | |
| X-X | 12 | 5.777-027.0 | Cover suction nozzle | 1.000 | ST | 0000000000 | 0000000000 | |
| | 13 | 7.314-659.0 | Straight grooved pin 5x24 Kunstst. ISO87 | 1.000 | ST | 0000000000 | 0000000000 | |
| | 14 | 7.307-030.0 | Threaded pin M10x12 -A2-21H ISO4026 | 1.000 | ST | | | VERSION 2 |
| | 15 | 4.130-398.0 | Floor tool metal | 1.000 | ST | 0000000000 | 0000000000 | |
| | 16 | 6.362-727.0 | O-Ring seal 30,0 X 1,0-NBR 70 | 1.000 | ST | 0000000000 | 0000000000 | |
| | 17 | 5.032-822.0 | Suction tube ALU | 1.000 | ST | 0000000000 | 0000000000 | |
| | 18 | 5.343-014.0 | Locking ring | 1.000 | ST | 0000000000 | 0000000000 | |
| | 19 | 7.311-571.0 | Square nut M6 -05-A2E DIN 557 | 2.000 | ST | 0000000000 | 0000000000 | |
| | 20 | 5.373-907.0 | Spacer with bore | 1.000 | ST | 0000000000 | 0000000000 | VERSION 1 |
| | 21 | 5.373-906.0 | Spacer with threaded | 1.000 | ST | 0000000000 | 0000000000 | VERSION 1 |
| X-X | 22 | 7.306-182.0 | Screw M5x16 -A2-70 (In6Rd) | 1.000 | ST | 0000000000 | 0000000000 | VERSION 1 |
| | 23 | 6.362-761.0 | O-Ring seal 4,0 X 1,2 | 2.000 | ST | 0000000000 | 0000000000 | |
| | 24 | 4.321-186.0 | Hand grip PUZZI 100/200 | 1.000 | ST | 0000000000 | 0000000000 | |

62 Floor tool (0.164-274.0)

| ET/VT (spare/wear parts) | Pos | Material # | Name | Qty. | Unit | from ser.nr. | up to ser.nr. | Footnote text |
|--------------------------|-----|-------------|---|-------|------|--------------|---------------|-----------------------|
| | 25 | 7.306-024.0 | Cylinder head screw M6x30 -8.8-A2E ISO4 | 2.000 | ST | 0000000000 | 0000000000 | |
| X-X | 26 | 7.312-292.0 | Washer 6 -A2 ISO 7093-1 | 2.000 | ST | 0000000000 | 0000000000 | |
| X-X | 27 | 4.310-010.0 | Nut right hand thread | 1.000 | ST | 0000000000 | 0000000000 | |
| X-X | 29 | 7.343-201.0 | Lock washer 6-FST-PHR DIN 6799 | 1.000 | ST | 0000000000 | 0000000000 | |
| X-X | 30 | 4.127-009.0 | Extension | 1.000 | ST | 0000000000 | 0000000000 | |
| | 31 | 5.030-670.0 | Moulded part | 1.000 | ST | 0000000000 | 0000000000 | |
| X-X | 32 | 6.362-402.0 | O-Ring seal 11,0 X 1,3-NBR 70 | 1.000 | ST | 0000000000 | 0000000000 | |
| | 33 | 5.332-082.0 | Helical spring | 1.000 | ST | 0000000000 | 0000000000 | |
| X | 34 | 5.584-034.0 | Valve pin | 1.000 | ST | 0000000000 | 0000000000 | |
| | 35 | 5.587-139.0 | Valve housing | 1.000 | ST | 0000000000 | 0000000000 | |
| X | 36 | 6.362-401.0 | O-Ring seal 3,1 X 1,6 | 1.000 | ST | 0000000000 | 0000000000 | |
| X-X | 37 | 5.584-033.0 | Valve pin | 1.000 | ST | 0000000000 | 0000000000 | |
| X | 38 | 6.390-257.0 | Hose clip | 2.000 | ST | 0000000000 | 0000000000 | |
| | 39 | 6.390-237.0 | Hose PU DN 6x1 | 1.000 | ZST | 0000000000 | 0000000000 | TO ORDER AS CUT GOODS |
| X-X | 40 | 4.443-019.0 | Hose stem | 1.000 | ST | 0000000000 | 0000000000 | |
| | 41 | 6.362-491.0 | O-Ring seal 80,0x4,5-NBR 50 | 1.000 | ST | 0000000000 | 0000000000 | |
| | 42 | 5.031-038.0 | Moulded part | 1.000 | ST | 0000000000 | 0000000000 | |
| | 43 | 5.481-157.0 | Lever | 1.000 | ST | 0000000000 | 0000000000 | |
| | 44 | 5.321-569.0 | Handhold | 1.000 | ST | 0000000000 | 0000000000 | |
| X-X | 46 | 4.321-101.0 | Handhold complete | 1.000 | ST | 0000000000 | 0000000000 | |



70 Driving carriage (0.162-721.0)

| Pos | Material # | Name | Qty. | Unit | from ser.nr. | up to ser.nr. |
|-----|-------------|----------------------------|-------|------|--------------|---------------|
| 0 | 7.777-999.0 | Stockpiling discontinued | 1.000 | ST | 0000000000 | 0000000000 |
| 1 | 6.962-140.0 | Tub | 1.000 | ST | 0000000000 | 0000000000 |
| 2 | 7.777-999.0 | Stockpiling discontinued | 2.000 | ST | 0000000000 | 0000000000 |
| 5 | 7.321-011.0 | Star handle K 32 DIN 6335 | 2.000 | ST | 0000000000 | 0000000000 |
| 6 | 7.306-196.0 | Screw M 6x30-A2-70 (IN6RD) | 2.000 | ST | 0000000000 | 0000000000 |