

**Ersatzteilliste
Spare Parts List
Liste des pièces de rechange**

K 2400 HH

1.194-301.0 K 2400 HH-Q/C

1.194-304.0 K 2400 HH *CDN

GRUPPE: 1.0 EINZELTEILE
GROUP: 1.0 PIECE PARTS
GRUPPE: 1.0 PIECES CONSTITUANTES

A1

K 2400 HH

GRUPPE: 1.0 EINZELTEILE
GROUP: 1.0 PIECE PARTS
GRUPPE: 1.0 PIECES CONSTITUANTES

GRUPPE: 1.0 EINZELTEILE
GROUP: 1.0 PIECE PARTS
GROUPE: 1.0 PIECES CONSTITUANTES

C1

K 2400 HH

POS. ITM. POS.	BENNENUN DESCRIPTION DESIGNATION	TEILE-NR. PART-NO. NO.PIECE	STCK QTY. NBR.
2	STERNGRIF 1/4" / CONTROL KNOB / POIGNEE-ETOILE	9.182-353.0	2
3	FL.RD.SCHR 5/16X1,5 / SAUCER-HEAD SCREW / BOULON A TETE BOMBEE	9.196-304.0	2
5	GUMMIPUFFER / RUBBER BUFFER / BUTOIR CAOUTCHOU	9.183-401.0	2
6	BOLZEN 5/16"-18X3/4 / BOLT / BOULON	9.196-308.0	2
7	KAPPE / CAP / CAPUCHON	9.182-004.0	2
8	RAD DMR 260X84 / WHEEL / ROUE	9.189-007.0	2
9	STOPFEN SCHWARZ / PLUG / BOUCHON	9.183-001.0	2
10	HALTER / BRACKET / FIXATION	9.142-010.0	1
11	SCHEIBE / WASHER / RONDELLE	9.198-003.0	2
12	MUTTER / NUT / ECROU	5.310-105.0	2
14	SCHEIBE 8 / WASHER / RONDELLE	7.312-004.0	8
15	MUTTER / NUT / ECROU	9.197-002.0	8
16	ABSTANDSHALTER / SPACER / PINECE INT.	9.183-403.0	4

"=> xxxxxx" = bis Werknummer / up to serial No. / jusqu' au No. de fabr. / "xxxxxx =>" = ab Werknummer / from serial No. / a partir du No. de fabr. /

GRUPPE: 2.0 PUMPENSATZ
GROUP: 2.0 PUMP SET
GRUPPE: 2.0 JEU (ENSEMBLE) DE POMPE

A2

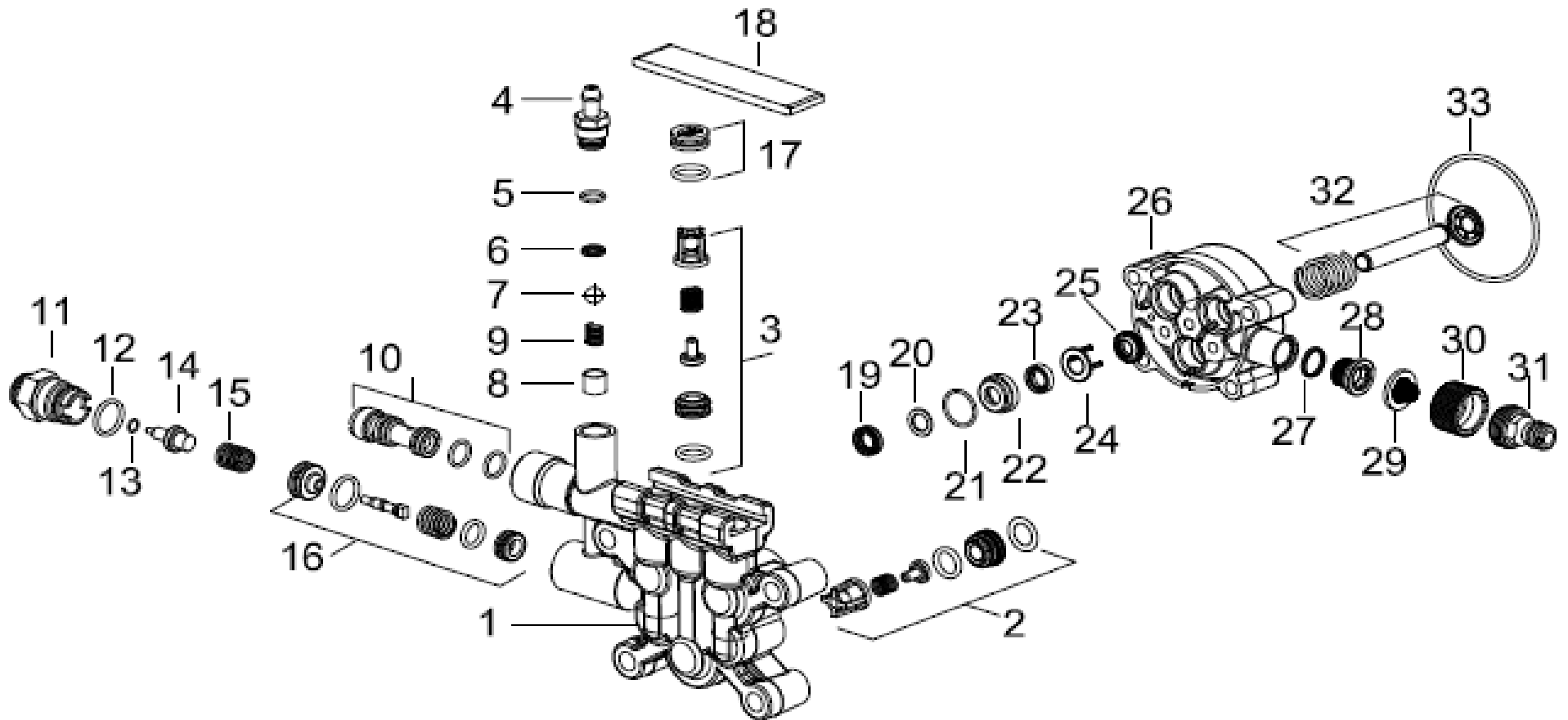
K 2400 HH

GRUPPE: 2.0 PUMPENSATZ
GROUP: 2.0 PUMP SET
GRUPPE: 2.0 JEU (ENSEMBLE) DE POMPE

GRUPPE: 2.1 PUMPENSATZ
GROUP: 2.1 PUMP SET
GRUPPE: 2.1 JEU (ENSEMBLE) DE POMPE

B2

K 2400 HH



updated 25 Mar 2010

Symbolbeschreibung siehe M16 / symbol description see M16 / designation de système voir M16

GRUPPE: 2.1 PUMPENSATZ
 GROUP: 2.1 PUMP SET
 GROUPE: 2.1 JEU (ENSEMBLE) DE POMPE

C2

K 2400 HH

POS.	BENNENUNG	TEILE-NR.	STCK	POS.	BENNENUNG	TEILE-NR.	STCK
ITM.	DESCRIPTION	PART-NO.	QTY.	ITM.	DESCRIPTION	PART-NO.	QTY.
POS.	DESIGNATION	NO.PIECE	NBR.	POS.	DESIGNATION	NO.PIECE	NBR.
0	VOLLSTÄNDIGE PUMPE-BAUGRUPPE / COMPLETE PUMP ASSY / ENSEMBLE COMPLET DE POMPE	8.920-004.0	1				
							VERSION 2
1	ZYLINDERKOPF / CYLINDER HEAD / CULASSE	8.762-010.0	1	31	ANSCHLUSS 3/4" / QUICK CONNECTOR MALE / RACCORD	6.389-870M	1
2	SAUGVENTIL KPL (3 STUECK / VALVE (3 PACK) / SOUPAPE	9.139-376.0	1		OPTIONAL / OPTIONAL / EN OPTION		
3	SAUGVENTIL KPL (3 STUECK / VALVE (3 PACK) / SOUPAPE	2.884-916.0	1	31A	SCHLAUCHKUPPLUNG / QUICK CONNECTOR FEMALE / RACCORD POMPIERS	9.083-003.0	1
4	CHEMISCHE ZULAUF NIPPLE / CHEMICAL INLET NIPPLE / ENTRÉ DE PRODUITS CHIMIQUES MAMELON	5.443-448.0	1		NICHT ANGEZEIGT / NOT SHOWN / NE PAS INDIQUÉ		
5	O-RING 8.0x1.0 / GASKET / BAQUE D'ETANCHEITE	6.362-451.0	1		OPTIONAL / OPTIONAL / EN OPTION		
6	O-RING 5.28x1.78 / GASKET / BAQUE D'ETANCHEITE	6.362-175.0	1	32	VOLLSTÄNDIGE KOLBEN / PISTON COMPLETE / PISTON COMPLÈTE	9.139-370.0	3
7	KUGEL / SPHERE 7 G40-1.4401/ BOULE	7.401-909.0	1				
8	HUELSE / SLEEVE / DOUILLE	5.110-714.0	1	33	O-RING 80.0x3.0 / GASKET / BAQUE D'ETANCHEITE	6.362-471.0	1
9	SCHRAUBENFEDER / HELICAL SPRING / RESSORT CYLINDRIQU	5.332-258.0	1				
10	DUESENEINSATZ / NOZZLE INSERT (with O-RINGS) / INSERT DE BUSE	9.139-372.0	1				
11	THERMISCHE VENTIL-AUSGANG / THERMAL VALVE OUTLET / PRISE DE SOUPAPE THERMIQUE	9.184-018.0	1				
12	O-RING 12.42x1.78 / GASKET / BAQUE D'ETANCHEITE	6.362-480.0	1				
13	O-RING 8.0x2.0 / GASKET / BAQUE D'ETANCHEITE	7.362-507.0	1				
14	THERMISCHE VENTIL ZINN BESCHICHTET / THERMAL VALVE TIN COATED / VANNE THERMIQUE ÉTAIN ENDUIT	6.413-403.0	1				
15	SCHRAUBENFEDER / HELICAL SPRING / RESSORT CYLINDRIQU	5.332-290.0	1				
16	TONERDE-VENTIL / UNLOADER VALVE / VALVE UNLOADER	9.175-005.0	1				
17	VERSCHLUSSTOPFEN / DRAIN PLUG (with O-RING) / BOUCHON	4.132-007.0	3				
17A	O-RING 11.0x2.0 / GASKET / BAQUE D'ETANCHEITE	6.362-458.0	3				
18	PLATTE / BRASS PLATE / PLAQUE	5.003-062.0	1				
19	NUTRING / GROOVED RING (WATER SEAL) / JOINT A LEVRES	9.177-301.0	3				
20	BACK RING / BACK RING / BACK ANNEAU	9.177-310.0	3				
21	O-RING 12.5x1.73 / GASKET / BAQUE D'ETANCHEITE	6.362-833.0	3				
22	MESSING BÜRSTEN / BRASS BUSHING / LAITON BROSSAGE	9.155-011.0	3				
23	NUTRING / GROOVED RING (COMPACT SEAL) / JOINT A LEVRES	6.363-058.0	3				
24	ABSTANDSHALTER / SPACER / MANCHES	9.134-016.0	3				
25	NUTRING / GROOVED RING (OIL SEAL) / JOINT A LEVRES	6.365-393.0	3				
26	KOLBENFUERUNG / PISTON GUIDANCE / GARDE DE PISTON	9.133-007.0	1				
27	O-RING 15.6x1.8 / GASKET / BAQUE D'ETANCHEITE	6.362-390.0	1				
28	STECKERADAPTER / MALE ADAPTER / ADAPTATEUR MÂLE	9.134-019.0	1				
29	FILTER-SIEGEL / FILTER SEAL / SCEAU DE FILTRE	9.181-005.0	1				
30	SCHLAUCH-CONNECTOR / HOSE CONNECTOR / CONNECTEUR DE TUYAU	9.155-013.0	1				

updated 27 Jan 2011

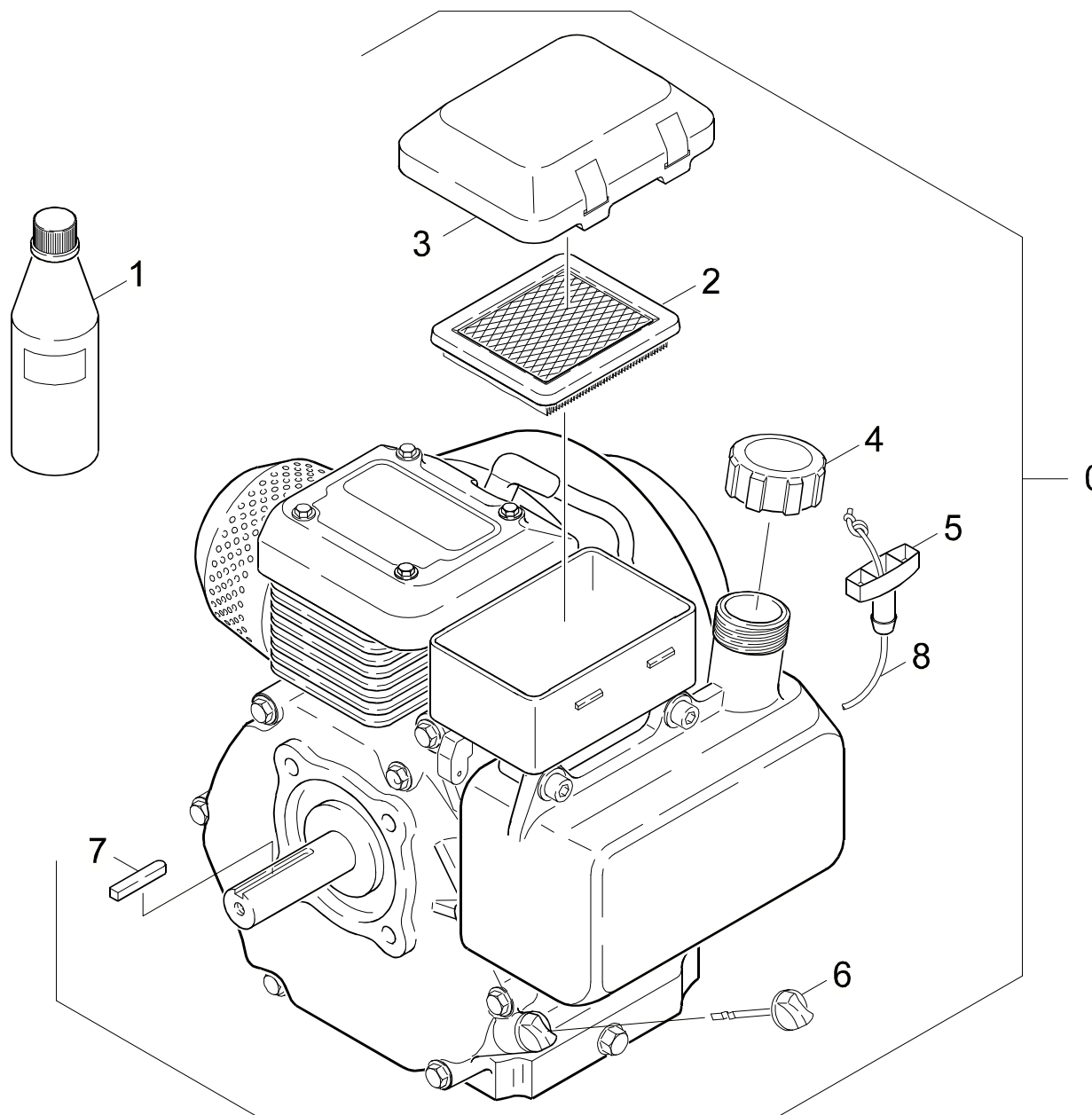
"=> XXXXXX" = bis Werknummer / up to serial No. / jusqu' au No. de fabr. / "xxxxxx =>" = ab Werknummer / from serial No. / a partir du No. de fabr. /

GRUPPE: 3.0 MOTOR
GROUP: 3.0 MOTOR
GRUPPE: 3.0 MOTEUR

A3

K 2400 HH

GRUPPE: 3.0 MOTOR
GROUP: 3.0 MOTOR
GRUPPE: 3.0 MOTEUR



Symbolbeschreibung siehe M16 / symbol description see M16 / désignation de système voir M16 /

GRUPPE: 3.1 MOTOR
GROUP: 3.1 MOTOR
GROUPE: 3.1 MOTEUR

C3

K 2400 HH

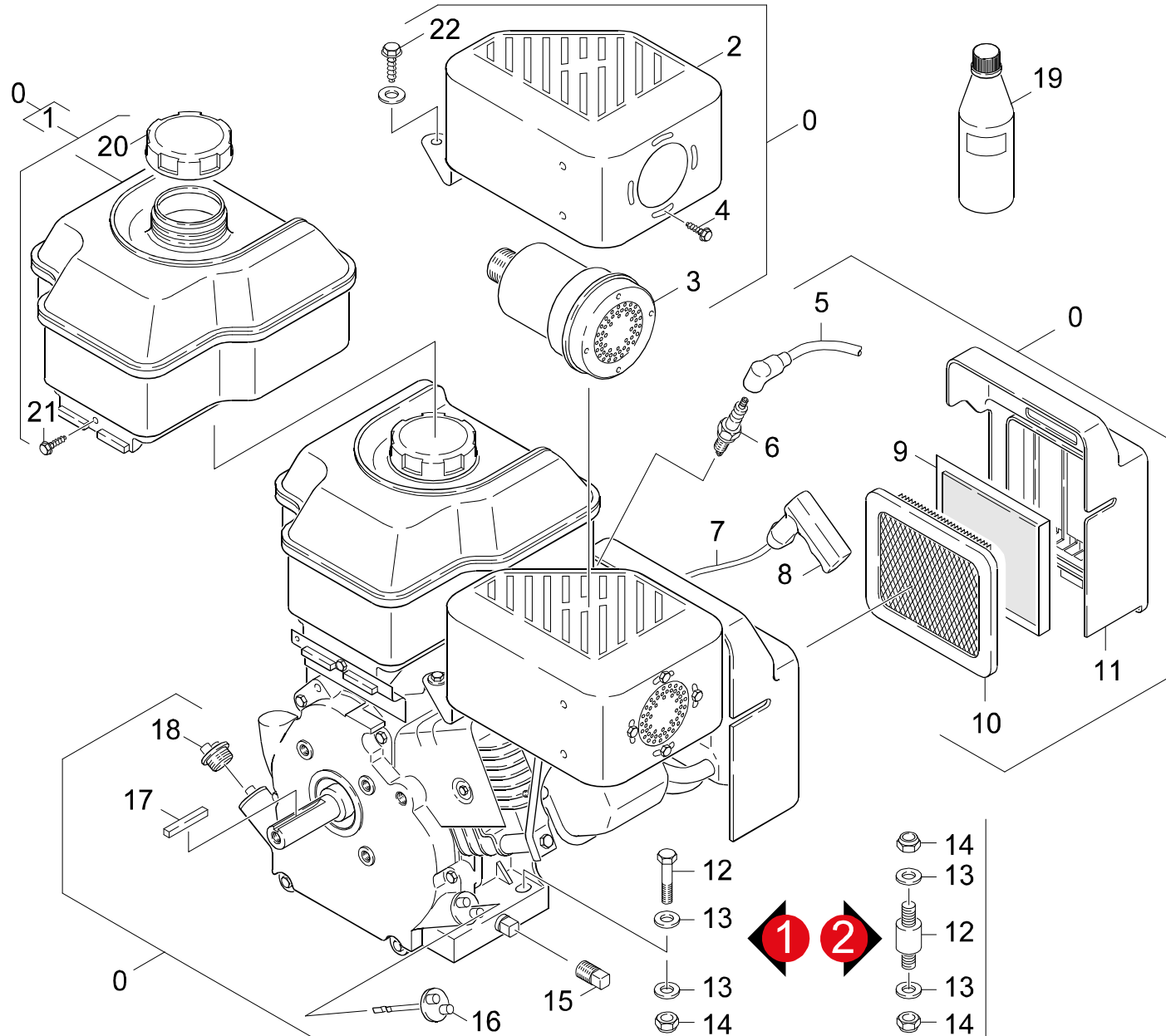
POS. ITM. POS.	BENNENUNG DESCRIPTION DESIGNATION	TEILE-NR. PART-NO. NO.PIECE	STCK QTY. NBR.
0	MOTOR KPL. / MOTOR / MOTEUR	9.194-015.0	1
1	MOTORENOEL 1L / ENGINE OIL / HUILE (MOTEUR)	6.288-050.0	1
	MOTOR 1,1L/MOTOR 1,1L/MOTEUR 1,1L		
2	LUFTFILTEREINSATZ / AIR FILTER ELEMENT / CARTOUCHE FILTRANTE	6.491-726.0	1
3	DECKEL / COVER / COUVERCLE	9.194-543.0	1
4	TANKDECKEL / CAP OF A TANK / BOUCHON DE RESERVOIR	9.194-548.0	1
5	GRIFF / HANDLE / POIGNEE	6.491-503.0	1
6	OELMESSTAB / OIL DIP ROD / JAUGE NIVEAU D'HUILE	9.194-531.0	1
7	PASSFEDER / SPRING / RESSORT D'ADJUSTAGE	9.194-545.0	1
8	STARTERSEIL / STARTER ROPE / CORDE DE DEMARREUR	6.491-546.0	1

"=> xxxxxx" = bis Werknummer / up to serial No. / jusqu' au No. de fabr. / "xxxxxx =>" = ab Werknummer / from serial No. / a partir du No. de fabr. /

GRUPPE: 3.2 MOTOR
 GROUP: 3.2 MOTOR
 GROUPE: 3.2 MOTEUR

D3

K 2400 HH



Symbolbeschreibung siehe M16 / symbol description see M16 / désignation de système voir M16 /

GRUPPE: 3.2 MOTOR
GROUP: 3.2 MOTOR
GROUPE: 3.2 MOTEUR

E3

K 2400 HH

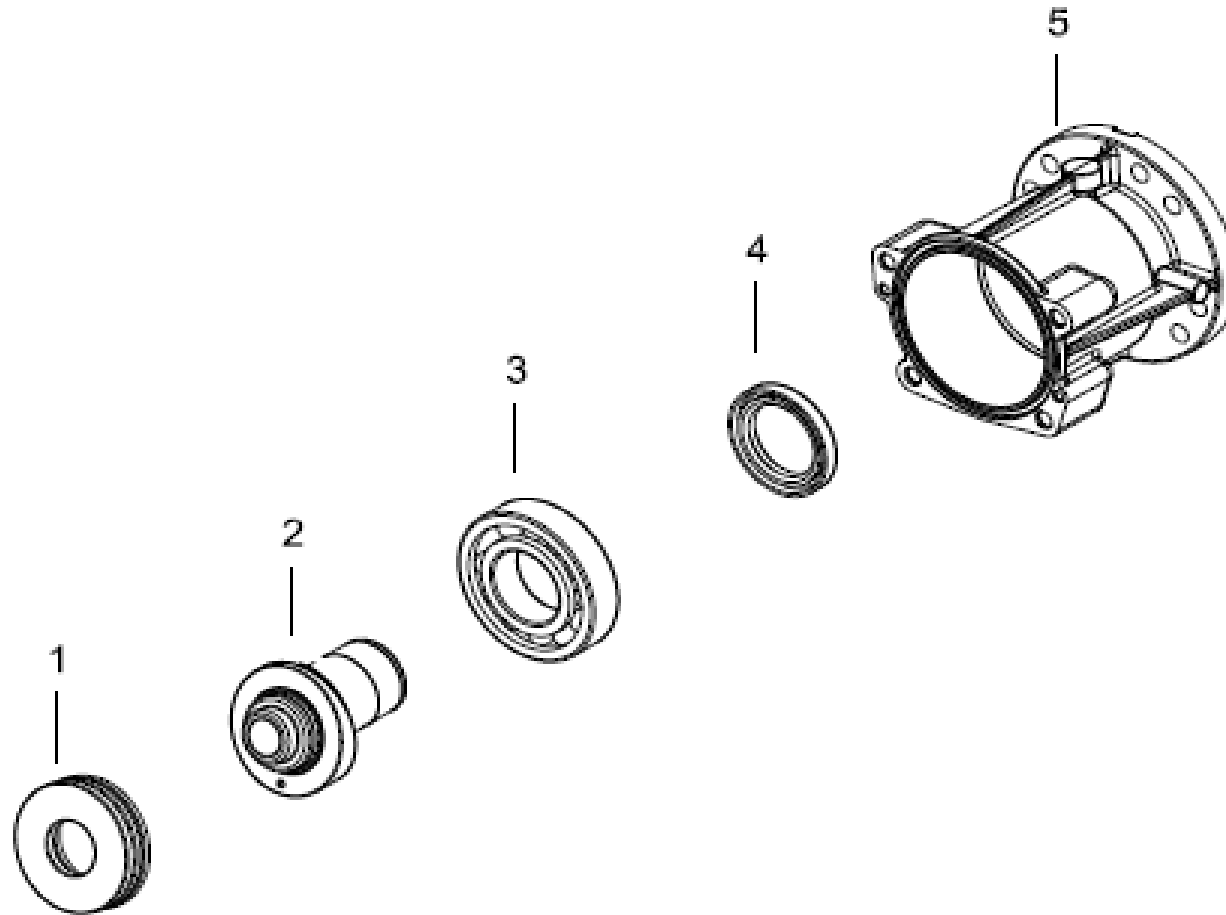
POS. ITM. POS.	BENNENUNG DESCRIPTION DESIGNATION	TEILE-NR. PART-NO. NO.PIECE	STCK QTY. NBR.
0	MOTOR B&S INTEC 5.5 / MOTOR / MOTEUR	9.194-014.0	1
1	TANK / TANK / RESERVOIR	9.194-533.0	1
2	AUSPUFFDECKEL / EXHAUST COVER / ECHAPPEMENT COUVERCLE	9.194-534.0	1
3	AUSPUFF / EXHAUST / ECHAPPEMENT	9.194-535.0	1
4	SCHRAUBE / SCREW / VIS	9.194-541.0	1
5	ZUENDKERZENSTECKER / STARK PLUG CONNECTOR / COSSE POUR BOUGIE	6.970-104.0	1
6	ZUENDKERZE / IGNITION PLUG / BOUGIE D'ALLUMAGE	6.491-250.0	1
7	ANLASSERSEIL / STARTER ROPE / CABLE DE DEMARRAGE	6.491-334.0	1
8	STARTERSEIL GRIFF / STARTER ROPE / CORDE DE DEMARREUR	9.194-441.0	1
9	FILTER / FILTER / FILTRE	9.194-878.0	1
11	HAUBE / COVER / CAPOT	9.194-536.0	1
12	ABSTANDSHALTER / SPACER / PINECE INT.	9.183-403.0	4
	VERSION 2		
12	SCHRAUBE 5/16" / SCREW / VIS	9.186-010.0	4
	VERSION 1		
13	SCHEIBE 8 / WASHER / RONDELLE	7.312-004.0	1
14	MUTTER / NUT / ECROU	9.197-002.0	1
15	STOPFEN / PLUG / BOUCHON	9.194-537.0	1
16	OELMESSTAB / OIL DIP ROD / JAUGE NIVEAU D'HUILE	9.194-531.0	1
17	PASSFEDER / SPRING / RESSORT D'ADJUSTAGE	9.194-546.0	1
18	FILTERDECKEL / FILTER COVER / CUVERCLE DE FILTRE	9.194-538.0	1
19	MOTORENOEL 1L / ENGINE OIL / HUILE (MOTEUR)	6.288-050.0	1
20	TANKDECKEL / CAP OF A TANK / BOUCHON DE RESERVOIR	9.194-539.0	1
21	SCHRAUBE / SCREW / VIS	9.194-540.0	1
22	SCHRAUBE / SCREW / VIS	9.194-542.0	1

"=> xxxxxx" = bis Werknummer / up to serial No. / jusqu' au No. de fabr. / "xxxxxx =>" = ab Werknummer / from serial No. / a partir du No. de fabr. /

GRUPPE: 3.3 ANTRIEB
GROUP: 3.3 GEAR
GRUPPE: 3.3 ENTRAINEMENT

F3

K 2400 HH



updated 25 Mar 2010

Symbolbeschreibung siehe M16 / symbol description see M16 / designation de système voir M16

GRUPPE: 3.3 ANTRIEB
 GROUP: 3.3 GEAR
 GROUPE: 3.3 ENTRAINEMENT

G3

K 2400 HH

POS.	BENNENNUNG	TEILE-NR.	STCK	POS.	BENNENNUNG	TEILE-NR.	STCK
ITM.	DESCRIPTION	PART-NO.	QTY.	ITM.	DESCRIPTION	PART-NO.	QTY.
POS.	DESIGNATION	NO.PIECE	NBR.	POS.	DESIGNATION	NO.PIECE	NBR.
0	VOLLSTÄNDIGE PUMPE-BAUGRUPPE / COMPLETE PUMP ASSY , ENSEMBLE COMPLET DE POMPE	8.920-004.0	1				
1	GROOVED KUGELLAGER / GROOVED BALL BEARING / ROULEMENT À BILLES BOUVETÉS	9.166-016.0	1				
2	SCHWUNGSCHRIFT PLATTE HORIZONTAL / SWASH PLATE HORIZONTAL / LETTRE ITALIQUE ORNÉE PLAQUE HORIZONTAL	9.135-018.0	1				
3	AXIAL-KUGELLAGER / AXIAL BALL BEARING No 6207 / ROULEMENT À BILLES AXIAL	9.165-356.0	1				
4	RADIAL SEAL / RADIAL SEAL 35.0x52.0x7.0 / SCEAU RADIAL	9.177-314.0	1				
5	ÖL-GEHÄUSE / OIL HOUSING / LOGEMENT DE PÉTROLE MOTORENOEL 1L / PUMP OIL 1L / HUILE (MOTEUR) 1L	9.135-016.0 6.288-050.0	1 1				
	NICHT ANGEZEIGT / NOT SHOWN / NE PAS INDIQUÉ.						

updated 25 Mar 2010

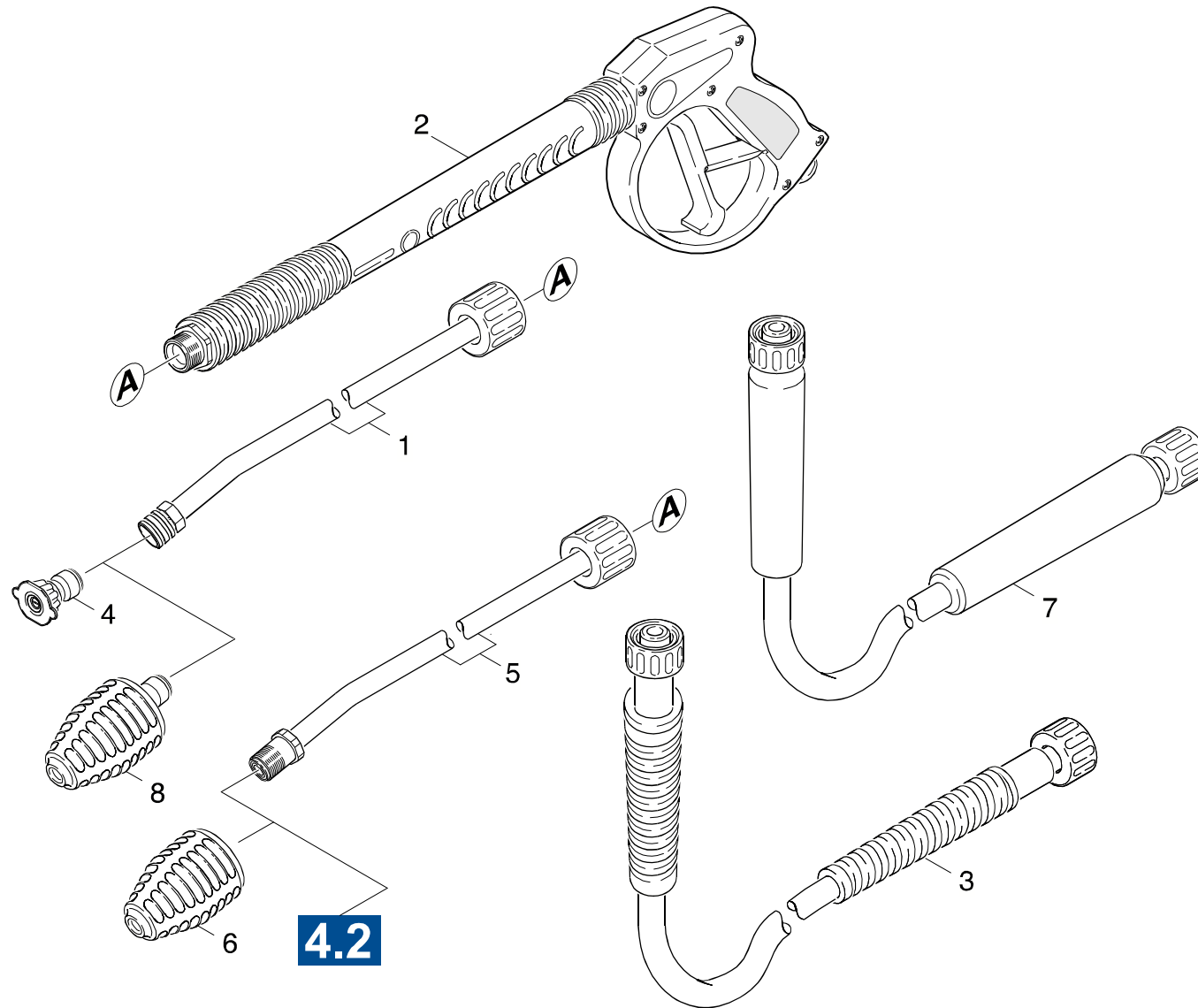
"=> XXXXXX" = bis Werknummer / up to serial No. / jusqu' au No. de fabr. / "xxxxxx =>" = ab Werknummer / from serial No. / a partir du No. de fabr. /

GRUPPE: 4.0 ZUBEHOER
GROUP: 4.0 ACCESSORIES
GRUPPE: 4.0 ACCESSOIRES

A4

K 2400 HH

GRUPPE: 4.0 ZUBEHOER
GROUP: 4.0 ACCESSORIES
GRUPPE: 4.0 ACCESSOIRES



Symbolbeschreibung siehe M16 / symbol description see M16 / désignation de système voir M16 /

GRUPPE: 4.1 ZUBEHOER
GROUP: 4.1 ACCESSORIES
GROUPE: 4.1 ACCESSOIRES

C4

K 2400 HH

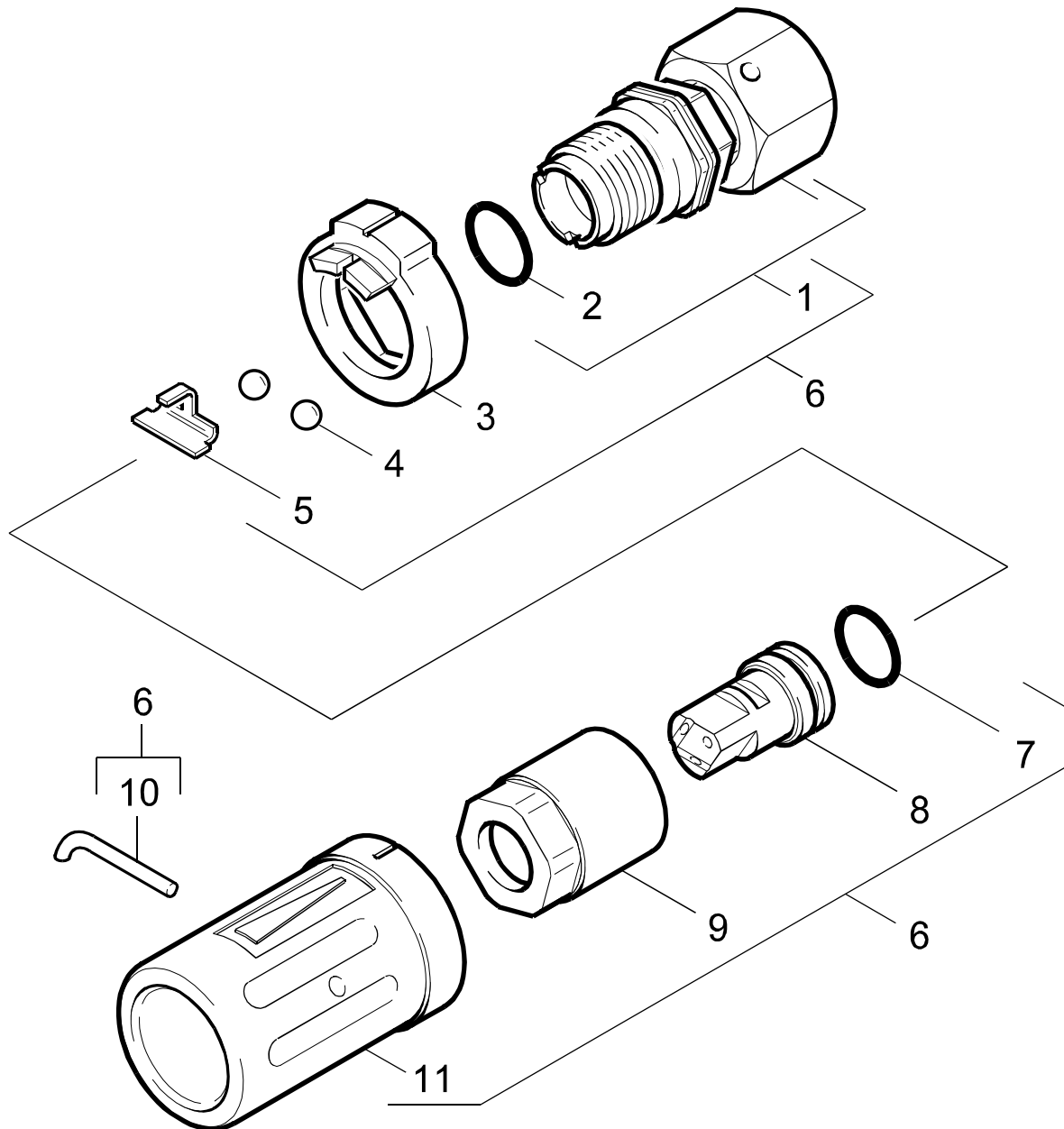
POS. ITM. POS.	BENNENUNG DESCRIPTION DESIGNATION	TEILE-NR. PART-NO. NO.PIECE	STCK QTY. NBR.
1	STRAHLROHR / JET PIPE / LANCE D'INCENDIE / 1.194-301.0	9.112-508.0	1
2	PISTOLE AL 220BAR / PISTOL / PISTOLET	9.112-011.0	1
3	HD-SCHLAUCH DN6/ 50 / HIGH PRESSURE HOSE / TUYAU FLEXIBLE HAUTE PRE. / 1.194-301.0	9.162-315.0	1
3	HD-SCHLAUCH DN6/ 30' / HIGH PRESSURE HOSE / TUYAU FLEXIBLE HAUTE PRE. / 1.194-302.0 / -303.0	9.162-316.0	1
4	DUESEN SET 0325 / NOZZLE / NUYAU / 1.194-301.0	9.104-016.0	1
5	STRAHLROHR / JET PIPE / LANCE D'INCENDIE / 1.194-302.0 / -303.0 / -304.0	9.112-504.0	1
6	ROTORDUESE 037 / ROTARY NOZZLE / BUSE JET ROTATIF	9.123-003.0	1
7	HD-SCHLAUCH DN8 10M / HIGH PRESSURE HOSE / TUYAU FLEXIBLE HAUTE PRE. / 1.194-304.0	6.390-106.0	1
8	ROTORDUESE 037 / ROTARY NOZZLE / BUSE JET ROTATIF	9.123-001.0	1

"=> xxxxxx" = bis Werknummer / up to serial No. / jusqu' au No. de fabr. / "xxxxxx =>" = ab Werknummer / from serial No. / a partir du No. de fabr. /

GRUPPE: 4.2 DREIFACHDUESE
GROUP: 4.2 TRIPLE JET NOZZLE
GRUPPE: 4.2 GICLEUR TRIPLE

D4

K 2400 HH



Symbolbeschreibung siehe M16 / symbol description see M16 / désignation de système voir M16 /

GRUPPE: 4.2 DREIFACHDUESE
GROUP: 4.2 TRIPLE JET NOZZLE
GROUPE: 4.2 GICLEUR TRIPLE

E4

K 2400 HH

POS. ITM. POS.	BENNENUNG DESCRIPTION DESIGNATION	TEILE-NR. PART-NO. NO.PIECE	STCK QTY. NBR.
1	SCHRAUBSTUTZEN / SCREW UNION / RACCORD FILETE	4.402-042.0	1
2	O-RING 14,0 X 2,5 / GASKET / BAQUE D'ETANCHEITE	6.362-460.0	1
3	FORMTEIL / MOULDED PART / PREFORME	5.030-528.0	1
4	KUGEL 5,0 / BALL / BOULE	7.401-902.0	2
5	HALTER / BRACKET / FIXATION	5.042-405.0	1
6	DREIFACHDUESE 033 / TRIPLE JET NOZZLE / GICLEUR TRIPLE	4.763-259.0	1
7	O-RING 12,42X 1,78 / GASKET / BAQUE D'ETANCHEITE	6.362-480.0	1
8	DREIFACHDUESE 033 / TRIPLE JET NOZZLE / GICLEUR TRIPLE	6.415-689.0	1
9	6KT-MUTTER / HEXAGON NUT / ECROU HEXAGONAL	5.311-117.0	1
10	HAKEN / HOOK / PATERE	5.037-059.0	1
11	SCHUTZTEIL / PROTECTION PART / PARTIE PROTECTEUR	5.394-269.0	1

"=> xxxxxx" = bis Werknummer / up to serial No. / jusqu' au No. de fabr. / "xxxxxx =>" = ab Werknummer / from serial No. / a partir du No. de fabr. /